

ALL - PURPOSE DOOR

///ATMODOOR®

APPROVED FOR
REGISTERED
ESTABLISHMENTS

100% ROT
PROOF

UV RESISTANT



GRAVITY HINGE

RESISTANT TO
OIL, FATS,
SOLVENTS, ACIDS
AND SALT.

NO BOTTOM HINGE,
ALLOWS FOR
WIDE LOAD TRAFFIC

SERIES 2000

FLEXIBLE VINYL IMPACT DOOR

Designed for door openings up to 10' W X 10' H, The Series 2000 is the most economical solution for applications where wide loads are forced to pass through narrow restricted openings. The tough, durable door panels are suspended from gravity hinges at the top only, providing unobstructed passage with no lower hinge hardware to be damaged or width reducing jamb guards. The hinge hardware allows the door to open with impact and return gently to a closed position. Available in several colours the tough reinforced vinyl fabric and standard impact plate(s) make this door ideal for pedestrian, pushcart, and light motorized traffic. Thermal models are available where temperature control is necessary. A wide selection of window options permits safe, speedy traffic flow while conserving energy.



Tel: 905.850.2929 Tel: 1.800.337.3239
Fax: 905.850.2922 Fax: 905.850.4440

www.supersealmfg.com

SuperSeal Mfg. Ltd.
670 Rowntree Dairy Rd.,
Woodbridge, Ontario, Canada L4L 5T8



MODEL "F" (FOOD PROCESS)

All doors noted; monofilament PVC impact traffic doors on the door schedule shall be Series 2000 Model "F" (Food Process) as manufactured by SuperSeal Mfg. Ltd.

DOOR BODY shall be manufactured of a one (1)-piece full height single layer of FOOD GRADE APPROVED 2.4mm. thick monofilament PVC, with 2 plies of polyester. The panels, impact plates and support arm pockets shall be heat sealed for extra strength. The Impact plate is supplied as standard on all "F" models and is highly resistant to high impact, scuffs, dent and gouges. The impact plate is made of a double layer of monofilament heat sealed for reinforcement. Jamb edge is reinforced with double layer of monofilament, with 1/4" flexible stiffener insert.

AVAILABLE MODELS: F200

AVAILABLE COLOURS: Black, Blue and Grey
For colours other than those listed please contact factory.

HINGE HARDWARE shall consist of a jamb mounted 5/8" diameter galvanized solid steel rod attached to the upper section of the jamb only by means of a high strength cast aluminum alloy bracket fitted with an anti-friction and needle thrust bearing and attached to the panel by means of a support pocket in the upper portion of the door body.



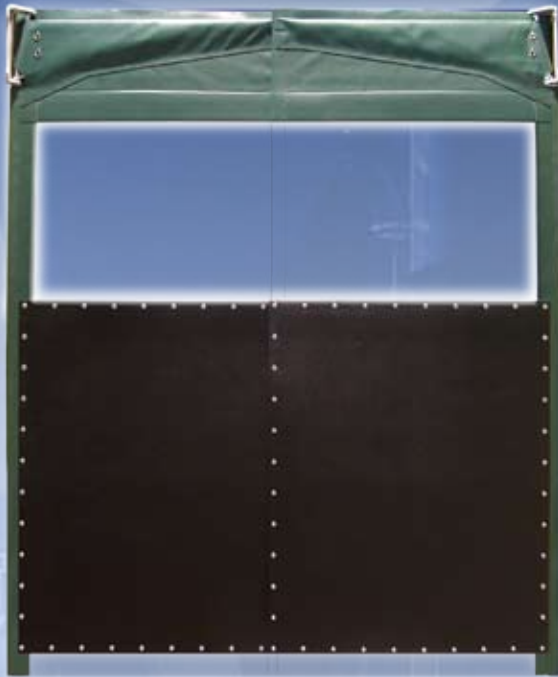
MODEL "T" (THERMAL)

All doors noted; flexible vinyl impact traffic doors on the door schedule shall be Series 2000 Model "T" (Thermal) as manufactured by SuperSeal Mfg. Ltd.

DOOR BODY shall be manufactured in accordance to standards for use in registered establishments. Door panel(s) shall be manufactured of a one (1)-piece full height single layer of FOOD GRADE APPROVED 40 oz./yd. Nylon reinforced vinyl with an additional layer in the upper portion of the panel above the impact plates. Door panels shall have balloon hem at the jamb and vinyl reinforced at the center leading edges. The panels, hems and support arm pockets shall be bonded then double stitched at all seam areas for extra strength. Door panel shall overlap at the center. Each panel shall have a flexile PVC window, style____. Low temp. impact plates are supplied as standard on all "T" models and are highly resistant in cold temperatures to high impact, scuffs, dent and gouges. Impact plates are 1/8" thick X 48" high HDP and are through riveted on both sides.

AVAILABLE MODELS: T50, T100, T150

AVAILABLE COLOURS: Black, Blue, Brown, Green, Grey and Red. For colours other than those listed please contact factory.



MODEL "C" (CLEAR VIEW)

All doors noted; flexible vinyl impact traffic doors on the door schedule shall be Series 2000 Model "C" (Clear View) as manufactured by SuperSeal Mfg. Ltd.

DOOR BODY shall be manufactured of a one (1)-piece clear PVC base material with a thickness of .160" with 40 oz. Reinforced vinyl balloon hem at the jambs and vinyl reinforcing at the center leading edges. The panels, hems and support arm pockets shall be bonded then double stitched at all seam areas for extra strength. Door panel shall overlap at the center. Each panel shall have a flexile PVC window, style _____. Impact plates are supplied as standard on all "C" models and are highly resistant to high impact, scuffs, dent and gouges. Impact plates are 1/8" thick X 48" high HDP and are through riveted on both sides.

Available for freezer applications (Please Specify).

AVAILABLE MODELS: C250, C250LT

AVAILABLE COLOURS: Black, Blue, Brown, Green, Grey and Red. For colours other than those listed please contact factory



MODEL "R" (REATAIL)

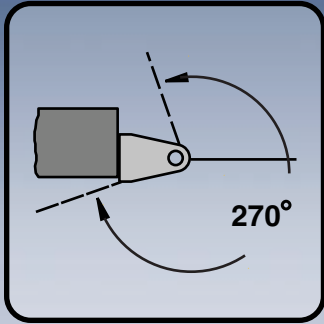
All doors noted; flexible vinyl impact traffic doors on the door schedule shall be Series 2000 Model "R" (Reatail) as manufactured by SuperSeal Mfg. Ltd.

DOOR BODY shall be manufactured in accordance to standards for use in registered establishments. Door panel(s) shall be manufactured of a one (1)-piece full height single layer of FOOD GRADE APPROVED 40 oz./yd. Nylon reinforced vinyl with an additional layer in the upper portion of the panel above the impact plates. Door panels shall have balloon hem at the jamb and vinyl reinforced at the center leading edges. The panels, hems and support arm pockets shall be bonded then double stitched at all seam areas for extra strength. Door panel shall overlap at the center. Each panel shall have a flexile PVC window, style _____. Impact plates are supplied as standard on all "R" models and are highly resistant to high impact, scuffs, dent and gouges. Impact plates are 1/8" thick X 48" high HDP and are through riveted on both sides.

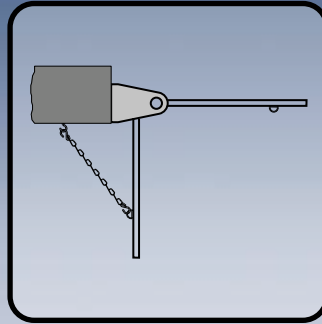
AVAILABLE MODELS: R50, R100, R150

AVAILABLE COLOURS: Black, Blue, Brown, Green, Grey and Red. For colours other than those listed please contact factory

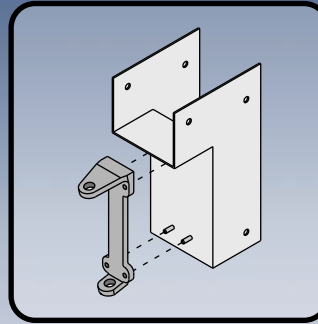
OPTIONS



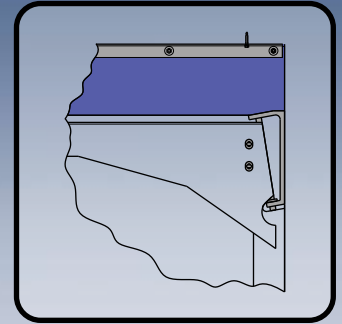
A. WIDE ANGLE HINGE



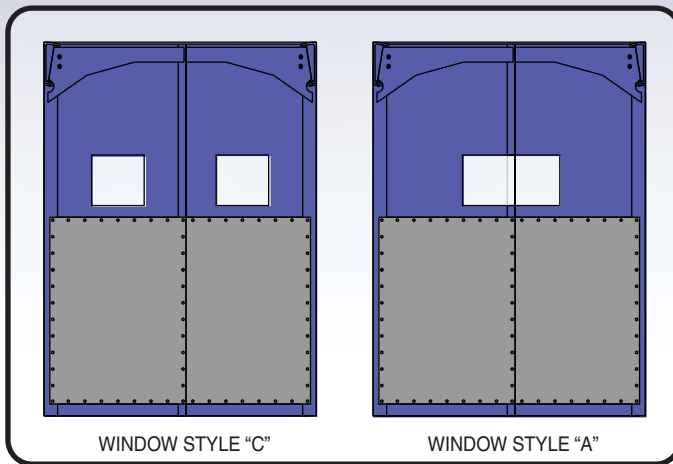
B. HOLD OPEN DEVICE



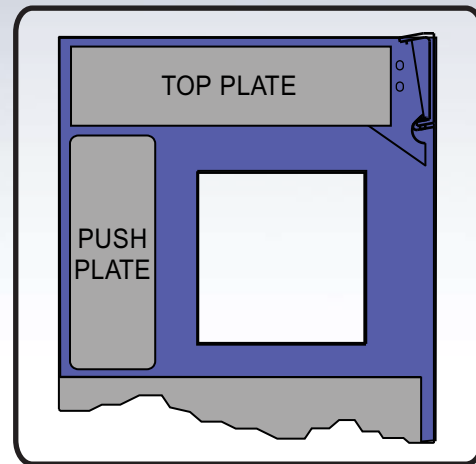
C. EXTENSION "L" BRACKET



D. TRANSOM



E. WINDOW

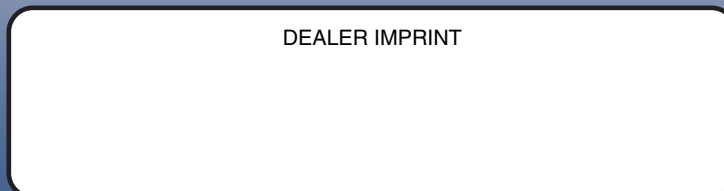
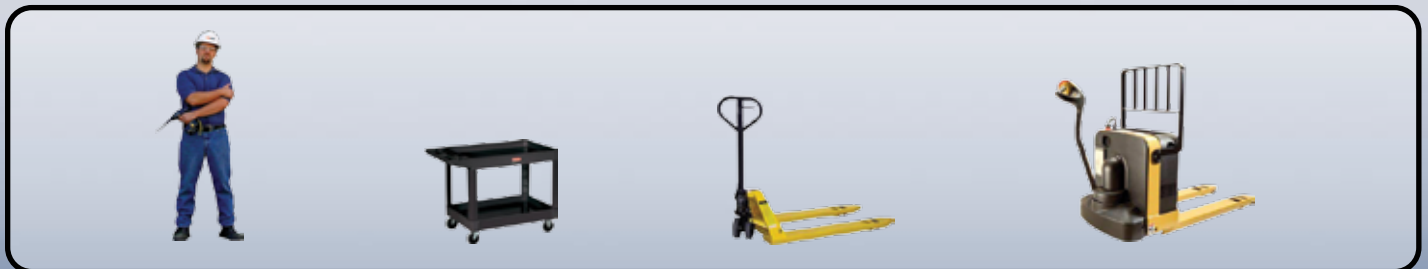


F. IMPACT PLATES

APPLICATIONS

- Beer Stores
- Discount Stores
- Distribution Centers
- Environmental Control
- Fish markets
- Greenhouse
- Hardware Stores
- Home Centers
- Manufacturing
- Nerseries
- Personnel
- Produce Coolers
- Supercenters
- Supermarkets
- Walk-in Coolers
- Warehouses

TRAFFIC TYPES



Custom Designs Available!

** All Super Seal products are subject to design modifications without notice. Product may be shown with non-standard options.