

CLEARLY UNSURPASSED

Will suit most
size door opening

Opens quickly
and quietly

Provides excellent
climate control

Large selection of
strip material to
suit almost
any application



Unsurpassed visibility
for maximum safety
in high traffic areas

Helps control and
isolate noise
between areas of
plant activity

Opens automatically
avoiding contact
with oncoming traffic
virtually eliminating
the need for
replacement strips

SERIES 9000

AUTOMATED STRIP CURTAINS

Designed for any size door opening, the Super Seal "Automated Clear Strip" is the most economical way to close a door opening. The clear flexible strips provide unsurpassed visibility for safety in high traffic areas. The edges of the strips are rounded to avoid the danger of being cut, concave-convex overlapping pattern enhances the sealing effect. The "Automated Clear Strip" is the universal low cost enclosure that reduces heat and refrigeration costs, minimizes energy consumption, provides noise control, and increases employee comfort. The "Automated Clear Strip" provides excellent visibility for oncoming traffic and thus increasing personnel safety. The "Automated Clear Strip" is operated electrically and activated by a wide selection of devices. "Automated Clear Strip" curtains help increase productivity by increasing personnel safety and thus help decrease energy and production costs.



SPECIFICATIONS

SERIES 9000 AUTOMATED CLEAR STRIP CURTAINS

All doors shall be supplied with 16" wide x .160" thick clear standard PVC strips (pre-punched). PVC strips are also supplied for the unit's sides and top. Door shall be mounted by means of galvanized off wall steel angle brackets and a galvanized formed steel track mounted on a galvanized steel angle support. Track shall extend beyond the door opening on each side so that there is full access to the door opening on each side so that there is full access to the door opening height and width. Door shall have two (2) independent retractable scissor arm assemblies complete with roller guides and hangers which are pre-assembled for ease of installation. All components of the series 9000E strip door are galvanized to resist corrosion.

OPERATING MECHANISM:

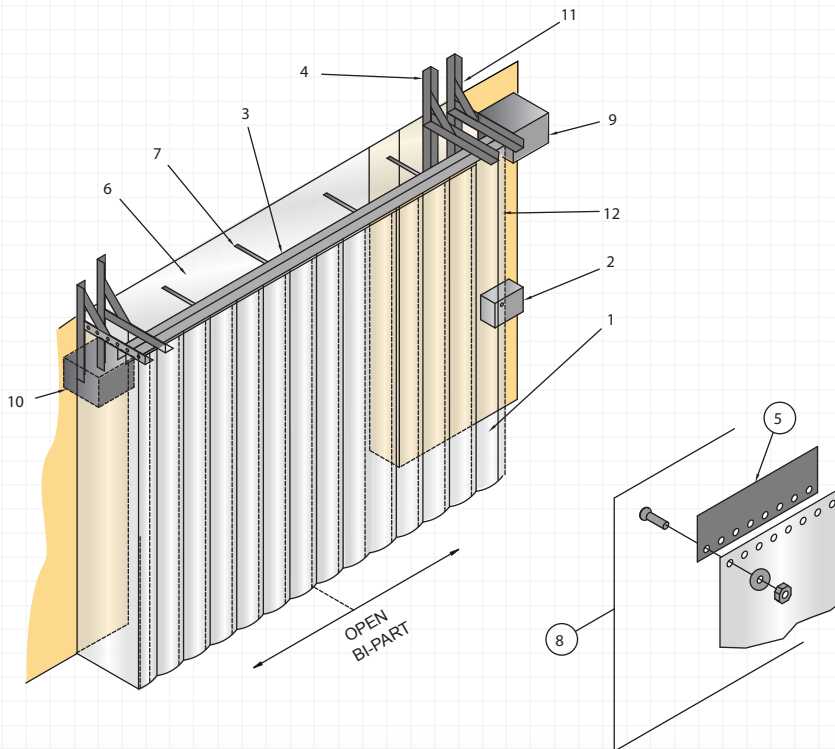
Doors shall come complete with 1/4 H.P., 115V, 1 PH, 60Hz, motor, chain pulleys and control panel.

FREEZER PACKAGE AVAILABLE, PLEASE SPECIFY

- Freezer package Includes; Low temperature PVC panels, galvanized frame, infra-red heating for panels, and heating bands for frame.

ADDITIONAL ACTIVATION OPTIONS

- Photo Eye
- Pull Cord
- Floor Loop
- Motion Detector
- Radio Control
- Remote Push Button



- PVC strips
- Control panel
- Roller track
- Offwall mounting bracket
- PVC scissor bracket
- Top cover strip
- Top cover support
- Washers, nuts, and track bolts, used to attach PVC strips to scissor bracket.
- Motor
- Alternate motor location
- Side curtain bracket
- PVC side curtain



DEALER IMPRINT

