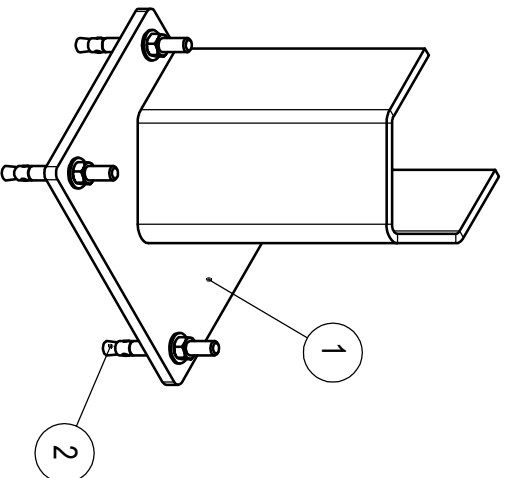
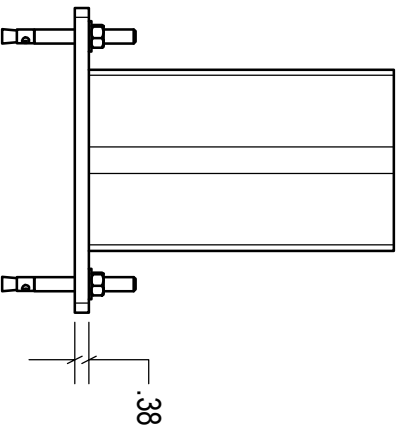
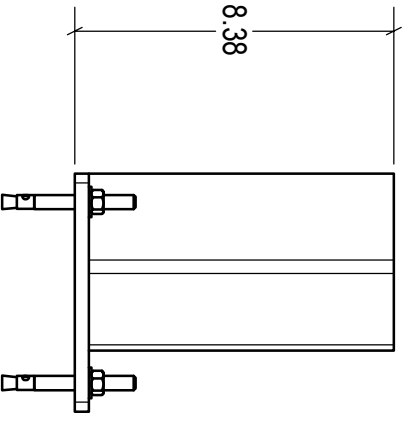
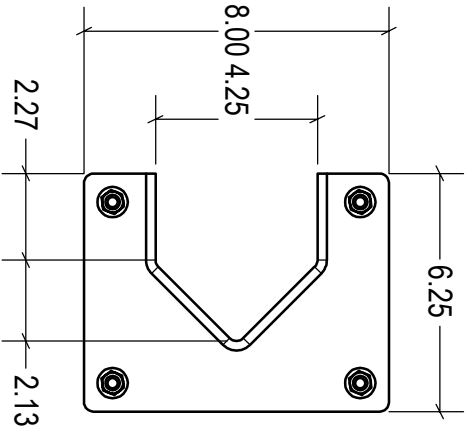


ITEM NO.	DESCRIPTION	QTY.
1	MD RACKGUARD: 8"	1
2	CONCRETE WEDGE ANCHOR: 3/8" x 3-1/2"	4



NOTE: ANCHORS NOT INCLUDED  
 MATERIAL: 1/4" STEEL, 3/8" BASE PLATE, POWDER COATED YELLOW

DATE	REV. NO.	BY	DESCRIPTION
DATE: APR-22-20			
DRAWN: AS			
APPROVED: ST			

MD RACKGUARD ASSEMBLY: 8"

**SUPER SEAL**

SCALE: 2:1

DWG NO: 05-0400

PART NO: 05-0400