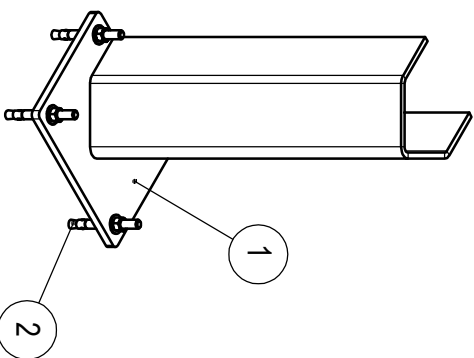
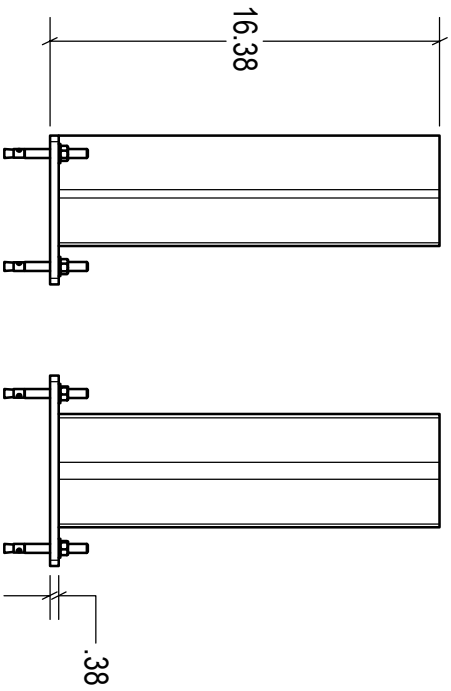
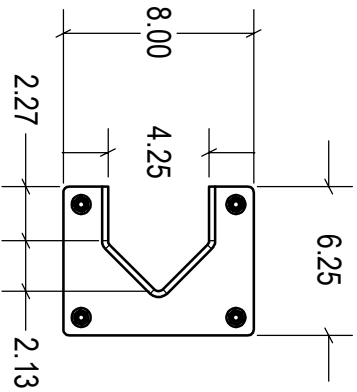



ITEM NO.	DESCRIPTION	QTY.
1	MD RACKGUARD: 16"	1
2	CONCRETE WEDGE ANCHOR: 3/8" x 3-1/2"	4



NOTE: ANCHORS NOT INCLUDED
MATERIAL: 1/4" STEEL, 3/8" BASE PLATE, POWDER COATED YELLOW

DATE	REV. NO.	BY	DESCRIPTION
			
MD RACKGUARD ASSEMBLY: 16"			
DATE: APR-22-20	SCALE: 2:1		
DRAWN: AS	DWG NO: 05-0405		
APPROVED: ST	PART NO: 05-0405		