

**DOOR OPENING:**

QUANTITY: \_\_\_\_\_ W \_\_\_\_\_ H \_\_\_\_\_

COVER FABRIC: \_\_\_\_\_

COLOR: \_\_\_\_\_

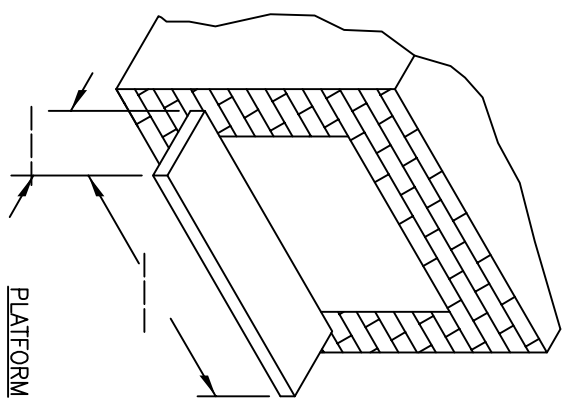
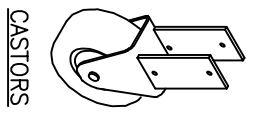
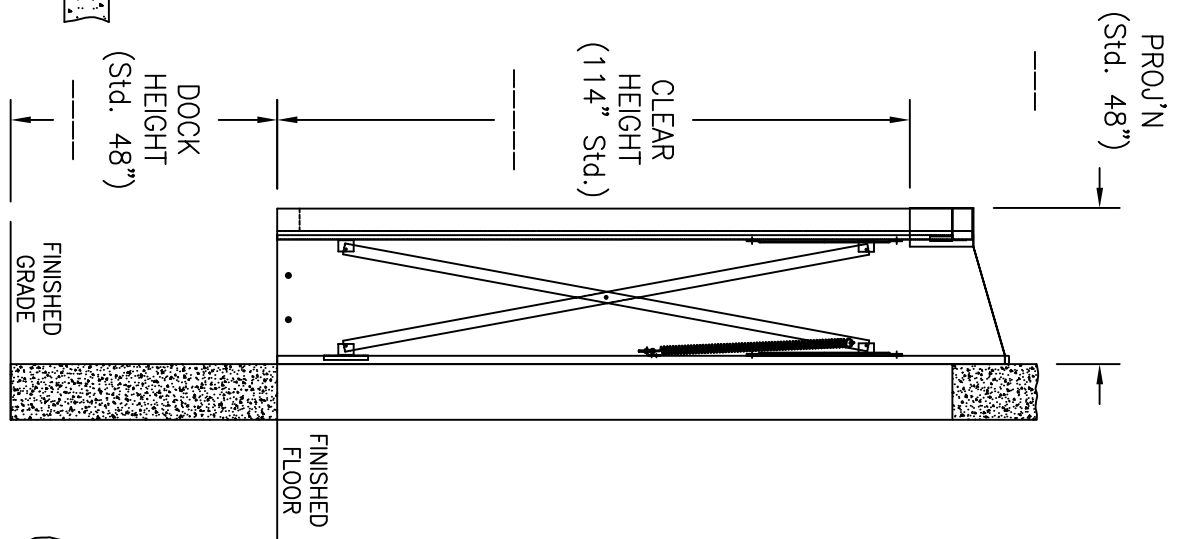
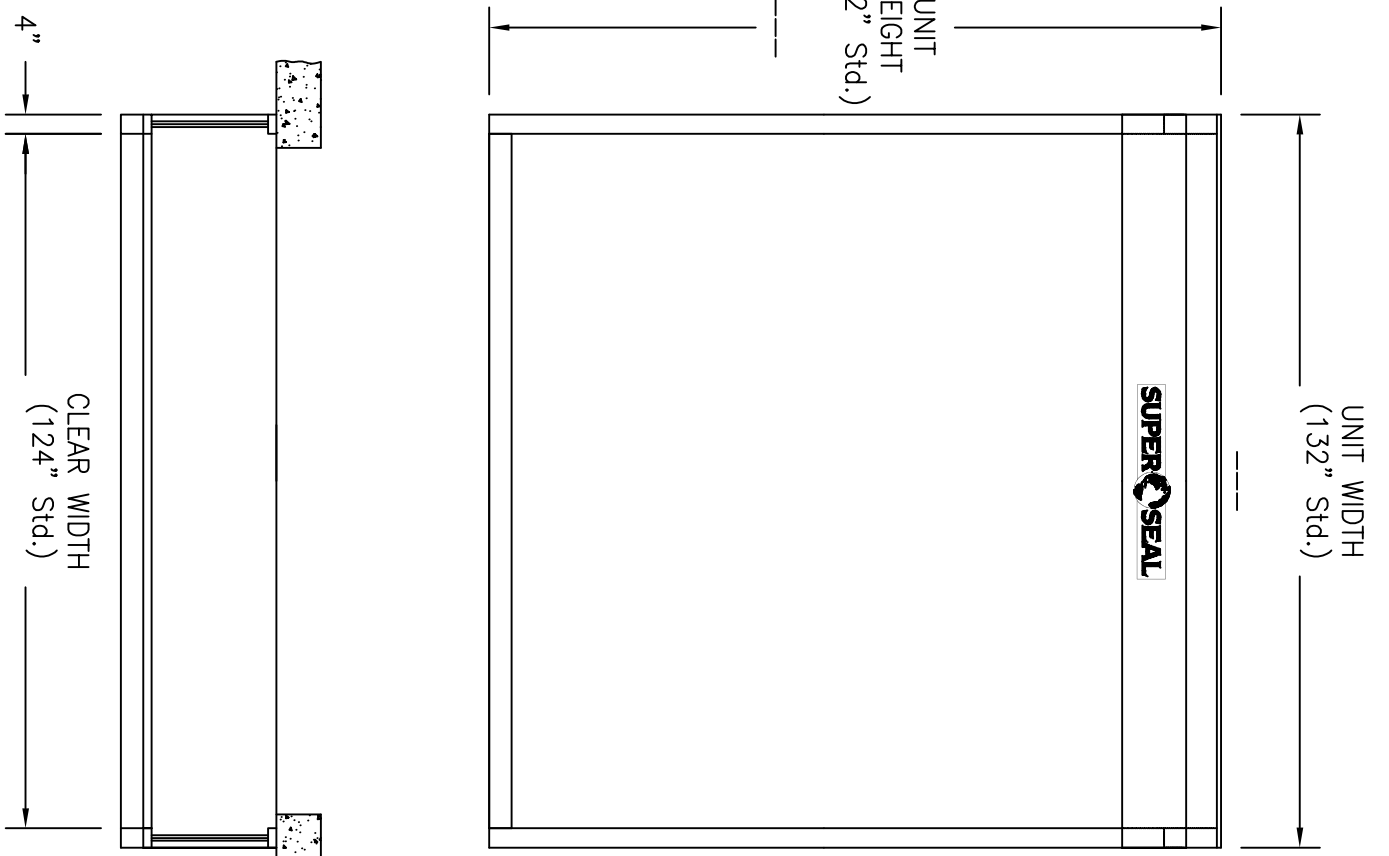
**OPTIONS (CHECK BOX IF APPLICABLE)**

- EXTRA WIDTH OF UNIT
- EXTRA HEIGHT OF UNIT
- STEEL FRAME
- PAINTED
- GALVANIZED
- 4 SIDED UNIT
- CASTORS

S.S. QUOTE REF. # \_\_\_\_\_  
 CUSTOMER \_\_\_\_\_  
 APPROVED BY: \_\_\_\_\_  
 P/O No.: \_\_\_\_\_  
 DATE: \_\_\_\_\_



SERIES 601  
 RETRACTABLE RAIL SHELTER - 3 SIDED  
 DATE: MAY-25-18 SCALE: 1:32  
 DRAWN: AC, AS DWG NO: L601-B / 1  
 APPROVED: ST PART NO: -



**DOOR OPENING:**  
 \_\_\_\_\_ W \_\_\_\_\_ H

QUANTITY: \_\_\_\_\_

COVER FABRIC: \_\_\_\_\_

COLOR: \_\_\_\_\_

**OPTIONS (CHECK BOX IF APPLICABLE)**

EXTRA WIDTH OF UNIT

EXTRA HEIGHT OF UNIT

STEEL FRAME

PAINTED

GALVANIZED

CASTORS

S.S. QUOTE REF. # \_\_\_\_\_

CUSTOMER \_\_\_\_\_

APPROVED BY: \_\_\_\_\_

P/O No.: \_\_\_\_\_

DATE: \_\_\_\_\_



SERIES 601  
 RETRACTABLE RAIL SHELTER - 4 SIDED

DATE: MAY-25-18 SCALE: 1:32

DRAWN: AC, AS DWG NO: L601-B / 2

APPROVED: ST PART NO: -