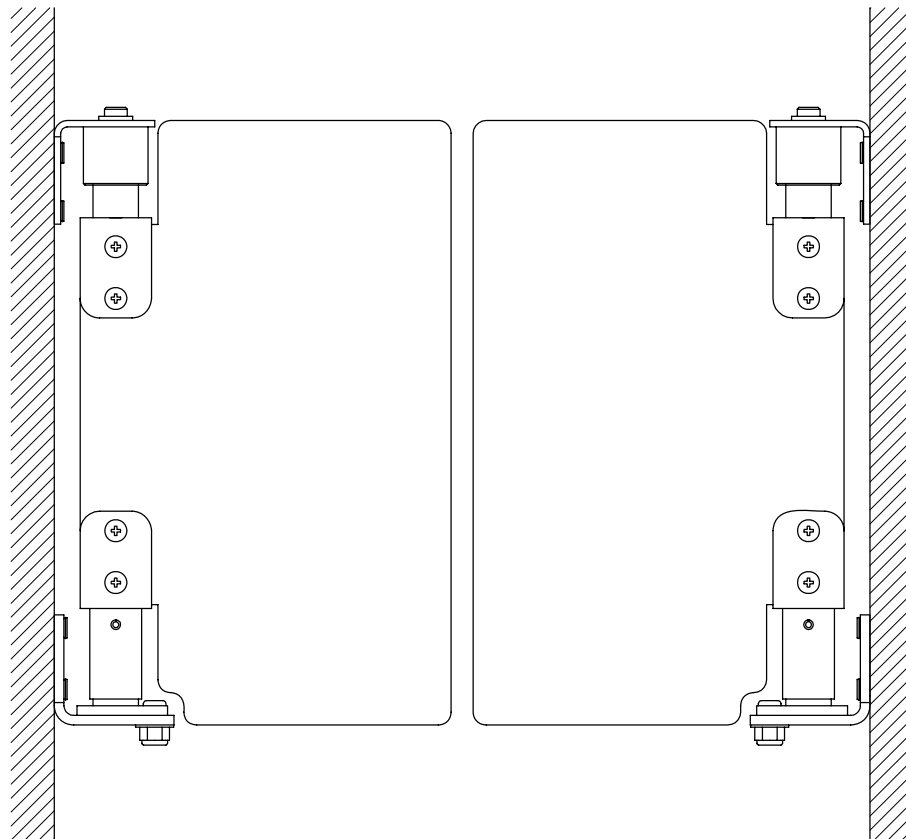
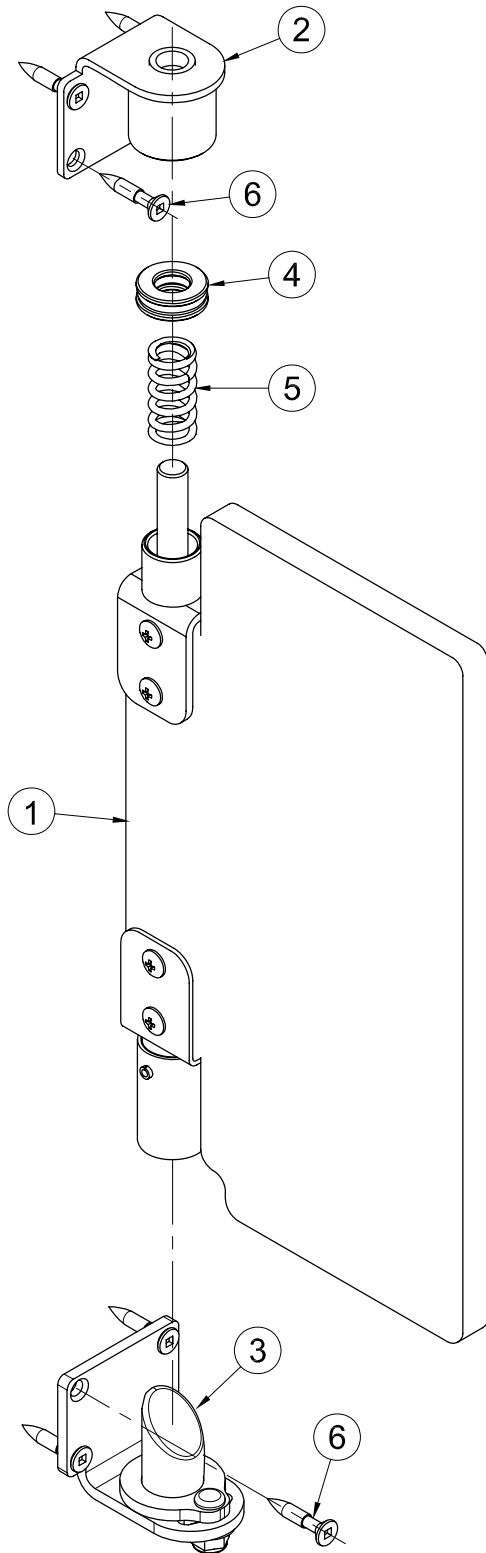


SERIES 1200 - Model 1201 CAFÉ DOOR INSTALLATION INSTRUCTIONS

Read all instructions before installing door. Super Seal Mfg. Ltd. will not be held responsible for improper installation of anchoring devices, or for installation into aged or unsound concrete, concrete block, or other wall or floor material which may result in premature product wear, product failure, property damage, or personal injury.





No.	COMPONENTS LIST FOR ONE PANEL	QTY.
1	ASSEMBLED PANEL	1
2	TOP HINGE PIVOT BRACKET	1
3	BOTTOM CAM ASSEMBLY	1
4	ROLLER THRUST BEARING	1
5	COMPRESSION SPRING	1
6	WOOD SCREW	8
7	GREASE PACKETTE	1

	TOOLS LIST	QTY.
A	ROBERTSEN DRIVER BIT	1
B	7/16" SOCKET WRENCH	1
C	DRILL	1
D	LEVELLER	1
E	PENCIL	1
F	RAG	1
G	MEASURING TAPE	1

1. Check Order

- Measure door opening height and width. Compare to Purchase Order.
- Check Components List and Hardware Supplied List (page 2). Make sure all components and hardware are present.
- Check Recommended Tools List. Make sure all recommended tools are available.

2. Mark Position of Door.

- Using a level, mark top and bottom lines for top and bottom of door panel (fig. 1a).
- Using a level, mark vertical line for door position (fig. 1a).

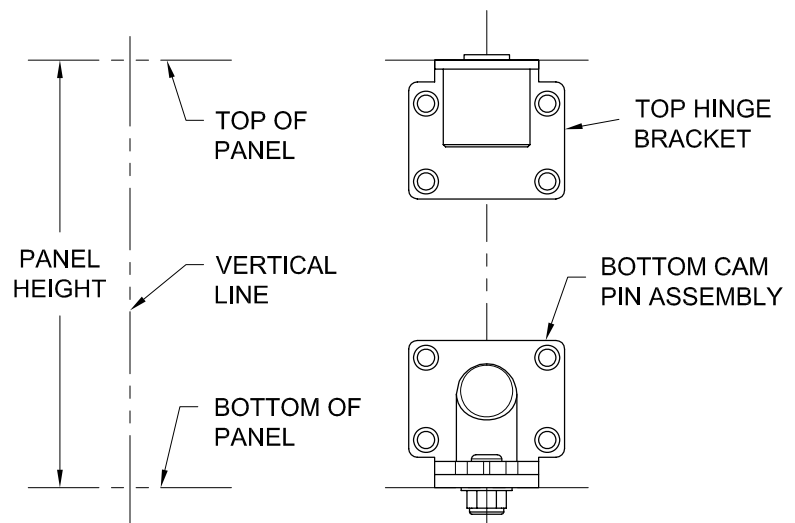


fig. 1a

fig. 1b

3. Mark and Drill Mounting Holes.

- Center top hinge bracket on vertical line and position top of bracket flush with top line. Use pencil to mark pilot hole centers (fig. 1b.)
 - Center bottom cam assembly on vertical line and position bottom of bracket flush with bottom line. Use pencil to mark pilot hole (fig. 1b.)
- C. Pre-drill holes with 1/8" drill bit.

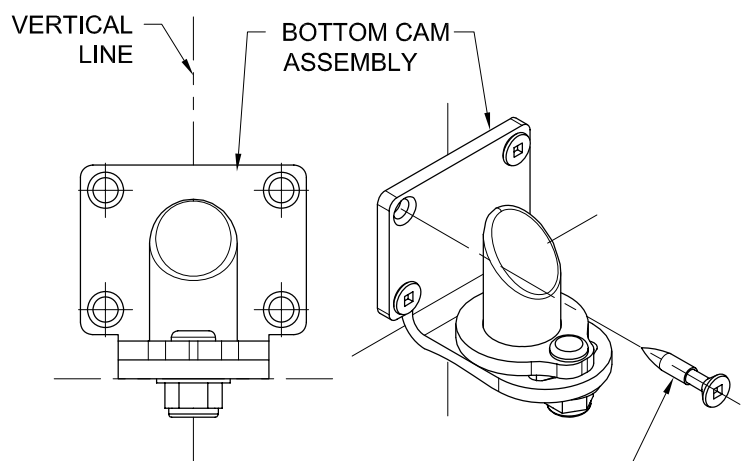


fig. 2a

fig. 2b

4. Install Bottom Cam Bracket.

- Position bottom cam bracket so that it is centered onto the vertical line and the bottom is flush with the horizontal line (fig. 2a).
- Using wood screws, secure bracket to mounting surface (fig. 2b).

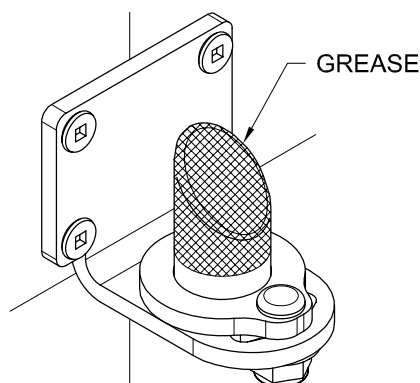


fig. 3

5. Grease Bottom Cam Bracket.

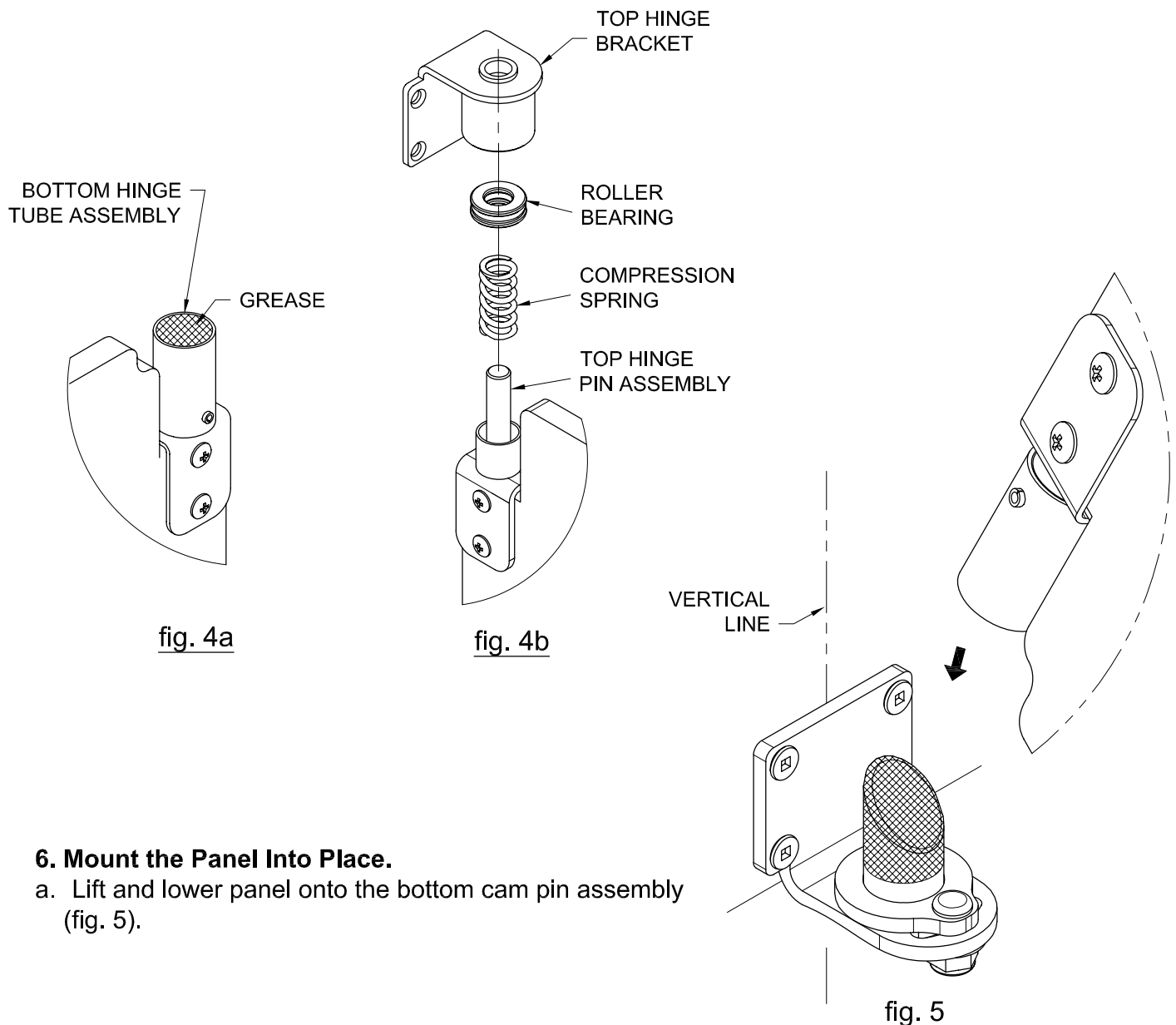
- Generously grease the cam portion of the bottom cam bracket as shown (fig. 3)



FOR FOOD RELATED APPLICATIONS, USE FOOD GRADE GREASE.

5. Prepare Door Panel For Mounting.

- a. Flip panel upside down and grease the inside of the bottom tube assembly (fig. 4a).
- c. Flip panel upright and place the following items onto the top hinge pin assembly in order as follows (fig. 4b):
 - 1. Compression spring
 - 2. Roller bearing
 - 3. Top hinge bracket



6. Mount the Panel Into Place.

- a. Lift and lower panel onto the bottom cam pin assembly (fig. 5).

7. Fasten Top Hinge.

- a. Put door into proper position with top hinge bracket centered on vertical line (fig. 6).
- b. Swing door panel back and forth to make sure door is settled (fig. 7).

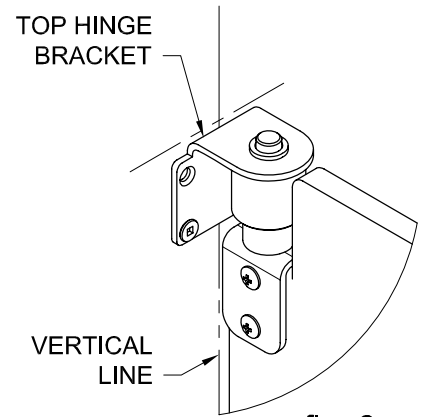


fig. 6

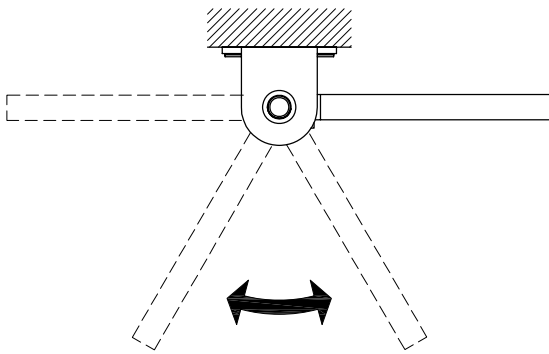


fig. 7

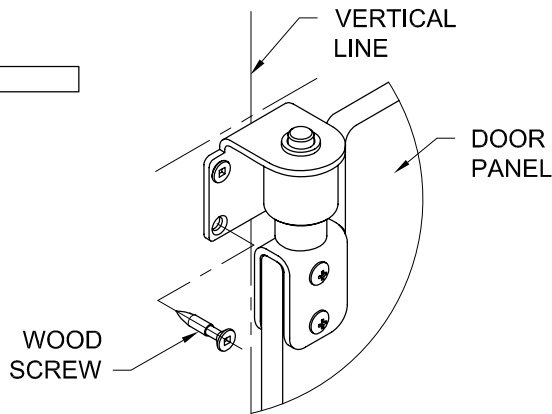


fig. 8

8. Align door Panel(s).

- a. If door panels are not properly aligned, loosen nut below bottom cam assembly (fig. 9) using a $\frac{7}{16}$ " socket wrench and adjust by moving pin to proper location or angle.
- b. Make sure that door panel(s) are properly aligned and mounted (fig. 10).
- c. Tighten nut below bottom cam assembly.

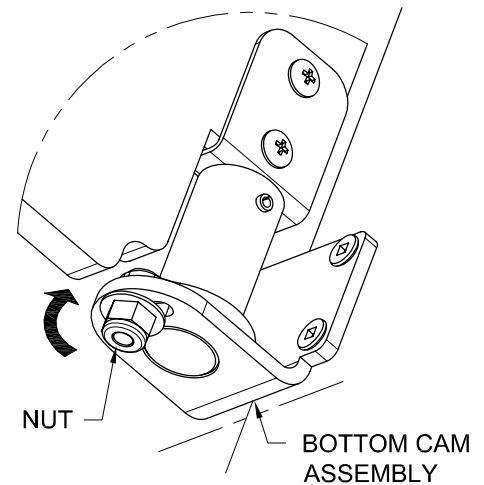


fig. 9

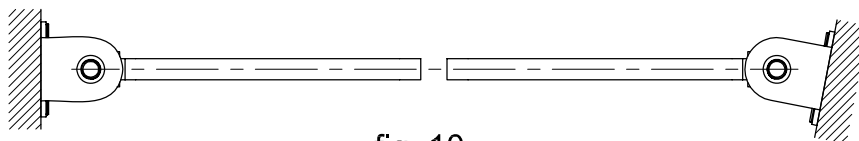


fig. 10

	<p>WIPE OFF EXCESS GREASE.</p>
--	---------------------------------------