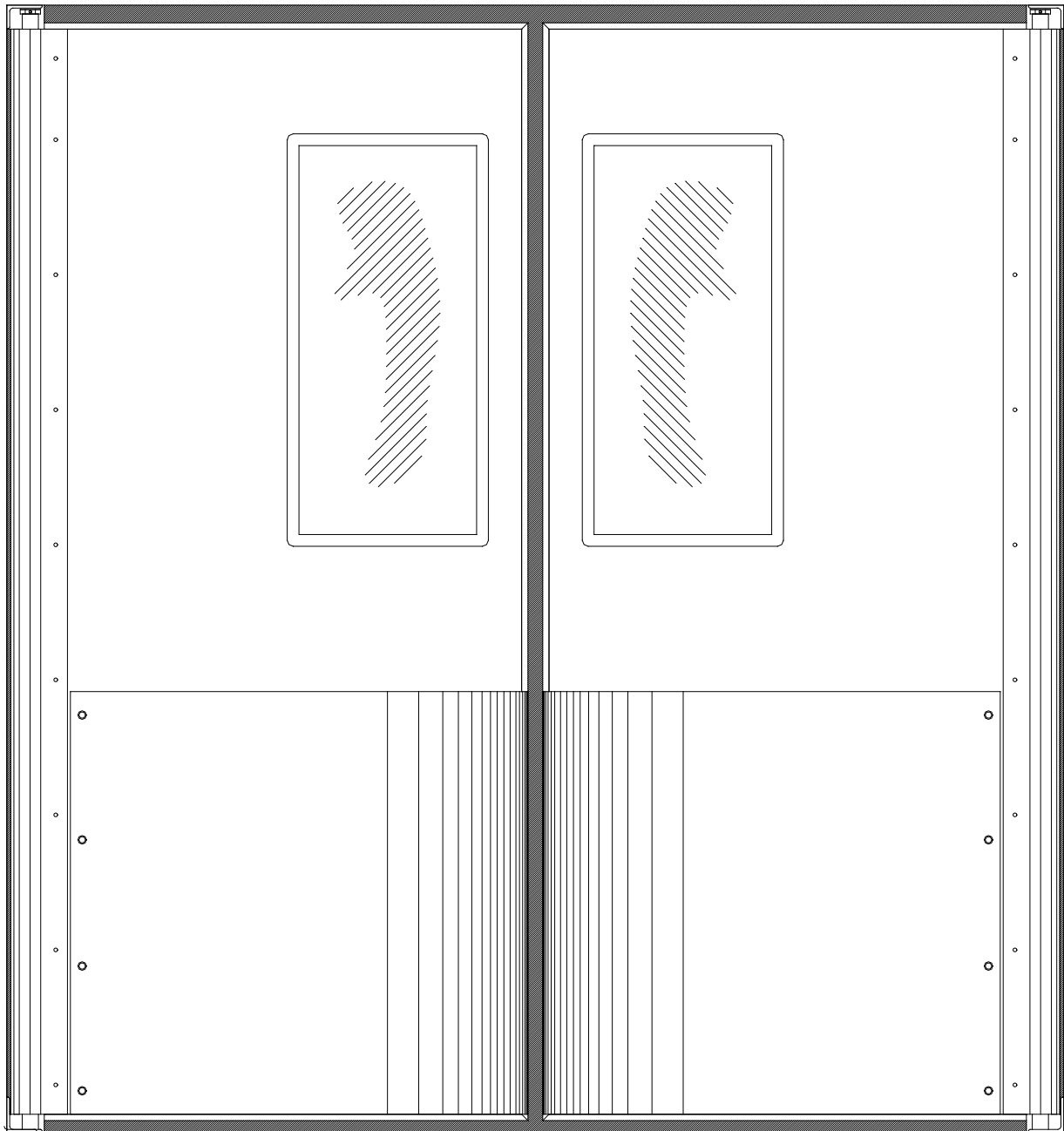


Series 4700 .
RIGID INSULATED IMPACT DOOR
INSTALLATION INSTRUCTIONS



Series 4700 · RIGID INSULATED IMPACT DOOR

INSTALLATION LISTS

THE FOLLOWING LISTS COVER BASIC INSTALLATION, NOT INCLUDING OPTIONS

Components List (per Panel)

No.		Qty.
1	Door Panel (Assembled)	1

4701		
Hardware Supplied List (per Panel)		
No.		Qty.
2	Top Pivot Bracket c/w Top Pivot Bracket Sleeve	1
3	5/16" x 1" Thread Cutting Screws	6
4	Bottom Pivot Bracket	1
5	5/16" x 3" Spring Pin	1
6	#14 x 1-1/4" Pan Head Screws	2
7	Rawl Nylon Plugs	2
8	Installation Instructions	1

4702		
Hardware Supplied List (per Panel)		
No.		Qty.
2	Top Pivot Bracket c/w Top Pivot Bracket Sleeve	1
3	1/2" x 1-1/2" Thread Cutting Screws	6
4	1/2" Lock Washer	6
5	Bottom Pivot Bracket	1
6	5/16" x 3" Spring Pin	1
7	1/2" x 2-3/4" Anchor	2
8	Installation Instructions	1

4701 Recommended Tools

Tape Measure
Plumb Line or Level
Pencil or Marker
Square
Power Drill
5/16" HSS Drill Bit
9/32" HSS Drill Bit
Hammer Drill
5/16" Masonry Drill Bit
Hammer
Philips Head Screwdriver
Imperial Allen Key Set
1/2" Wrench
Adjustable Wrench
General Purpose Grease BR2+ or Food Grade

4702 Recommended Tools

Tape Measure
Plumb Line or Level
Pencil or Marker
Square
Power Drill
5/16" HSS Drill Bit
7/16" HSS Drill Bit
1/2" Tap
Hammer Drill
7/16" Masonry Drill Bit
Hammer
Philips Head Screwdriver
Imperial Allen Key Set
1/2" Wrench
Adjustable Wrench
General Purpose Grease BR2+ or Food Grade

Series 4700 · RIGID INSULATED IMPACT DOOR

INSTALLATION INSTRUCTIONS

READ ALL INSTRUCTIONS BEFORE INSTALLING DOOR. SUPER SEAL MFG. LTD. WILL NOT BE HELD RESPONSIBLE FOR IMPROPER INSTALLATION OF ANCHORING DEVICES, OR FOR INSTALLATION INTO AGED OR UNSOUND CONCRETE, CONCRETE BLOCK, OR OTHER WALL OR FLOOR MATERIAL WHICH MAY RESULT IN PREMATURE PRODUCT WEAR, PRODUCT FAILURE, PROPERTY DAMAGE, OR PERSONAL INJURY.

1. Check Order

- a. **Measure door opening height and width.** Compare to Purchase Order.
- b. **Check Components List and Hardware Supplied List.** Make sure all components and hardware are present. Super Seal supplies hardware for door installation on steel jambs. For jambs other than steel, the owner/contractor must supply suitable fasteners.
- c. **Check Recommended Tools List.** Make sure all recommended tools are available.
- d. **Recommended Door Jamb:** **4701** - Steel, 1/4" thick by 4" wide;
4702 - Steel, 1/4" thick by 6" wide.

2. Prepare Door Frame

- a. **Check door opening height and width** (Figure 1).
 - **Measure left and right sides** of door opening from top to bottom. The height of the left and right sides of the opening should be the same.
 - **Measure the top and bottom** of door opening from side to side. The width of the top and bottom of the opening should be the same.
- b. **Mark center of jamb.**
 - **Measure the jamb width** at the top of the jamb.
 - **Mark the center point.**
 - **Drop a plumb line** from the center point to the floor and mark.
- c. **Correct door opening**, if needed.
 - **Center Jamb Mount** (Standard)
 - * Prepare shims.
 - **Wide Angle Corner Jamb Mount** (Option), if ordered.
 - * **Measure from plumb line to Jamb Edge** at top and at bottom of Door Opening.
 - * **Compare distance.**
 - * If distance is not the same, **prepare shims** to make jamb corners square and level.
- d. **Mount "U" Bracket Extension** (Option), if ordered.
 - Place top "U" bracket at top of jamb.
 - * **Through bolt "U" bracket to jamb** (Figure 2).
 - Place bottom "U" bracket at bottom of jamb.
 - * **Through bolt "U" bracket to jamb.**

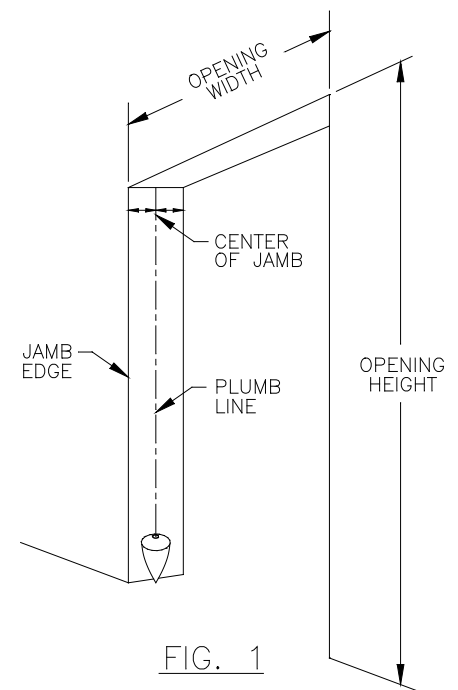


FIG. 1

3. Double Dutch Installation, See Step 8

4. Mark and Drill Top Pivot Bracket Holes

a. Center Jamb Mount (Standard).

- **Place Top Pivot Bracket** at top of jamb (Figure 3a).
 - * Match center of Bracket with center of jamb.
 - * Make sure Bracket is square and level.
- **Drill holes** into jamb and lintel
 - * Use Top Pivot Bracket as a template.
 - 4701 – 9/32” holes.
 - 4702 – Tap 1/2” threaded holes.
- **Insert hardware** into holes.
 - 4701 – 5/16” thread cutting screws.
 - 4702 – 1/2” x 1-1/4” hex bolts.

- **Remove hardware.**

- **Remove Top Pivot Bracket.**

- **For two-panel door**, repeat for other panel.

b. Wide Angle Corner Jamb Mount (Option).

- **Place Top Pivot Bracket** at top corner of jamb (Figure 3b).
 - * Make sure Bracket is square and level.
- **Drill holes** into corner of jamb and lintel.
 - * Use Top Pivot Bracket as a template.
 - 4701 – 9/32” holes.
 - 4702 – Tap a 1/2” threaded hole.
- **Insert hardware** into holes.
 - 4701 – 5/16” thread cutting screws.
 - 4702 – 1/2” x 1-1/4” hex bolts.

- **Remove hardware.**

- **Remove Top Pivot Bracket.**

- **For two-panel door**, repeat steps for other panel.

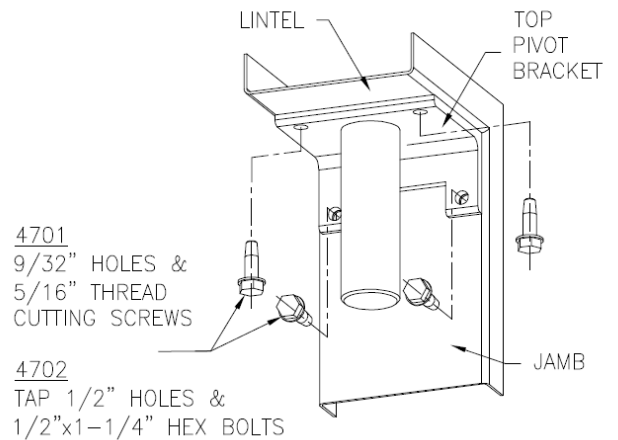


FIG. 3A

5. Attach Bottom Pivot Bracket

a. Center Jamb Mount (Standard).

- **If no Jamb Guard** ordered (Figure 4a):

- * Center Bottom Pivot Bracket at bottom of jamb.
 - Make sure Bracket is square and level.
- * **Drill holes into floor.**
 - Use Bottom Pivot Bracket as a template.
 - 4701 – 5/16” holes.
 - 4702 – 7/16” holes.

- * **Drill holes into jamb** through Bottom Pivot Bracket.

- 4701 – 9/32” holes.
- 4702 – Tap 1/2” threaded holes.

- * **Insert hardware** into jamb holes and tighten.

- 4701 – 5/16” thread cutting screws.
- 4702 – 1/2” x 1-1/4” hex bolts.

- * **Insert hardware** through Bottom Pivot Bracket into floor plugs.

- 4701 – Rawl Nylon Plugs with #14 x 1-1/4” Pan Head Screws.
- 4702 – 1/2” x 2-3/4” Anchors.

- * **Tighten.**

- * **For two-panel door**, repeat steps for other panel.

- **If Jamb Guard** ordered (Figure 4b):

- * **Position jamb guard** at bottom of jamb.
 - Make sure Jamb Guard is square and level.

- * **Mark and drill** holes in floor.

- * **Secure** with supplied hardware.

- * **Place Bottom Pivot Bracket in jamb** at top of Jamb Guard.

- Match center of Bracket with center of jamb.

- * **Drill holes into jamb** through Bottom Pivot Bracket.

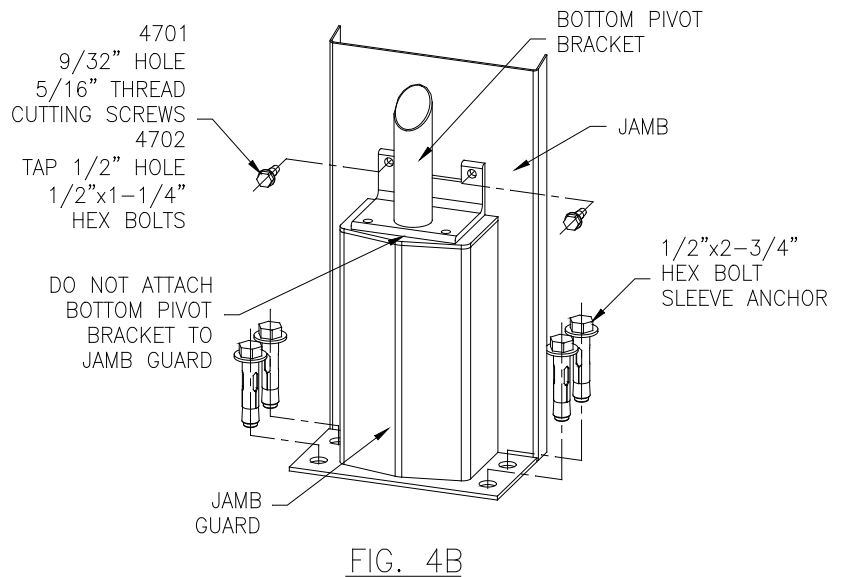
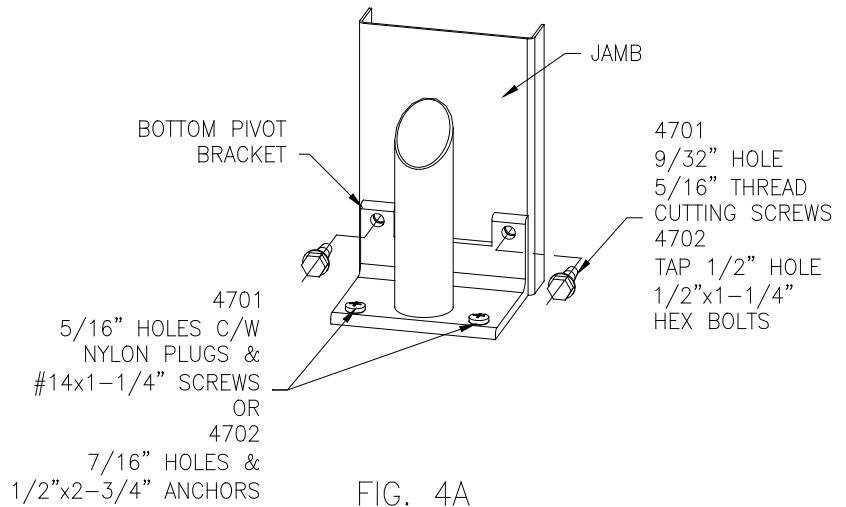
- 4701 – 9/32” holes.
- 4702 – Tap 1/2” threaded holes.

- * **Insert hardware** into jamb holes and tighten.

- 4701 – 5/16” thread cutting screws.
- 4702 – 1/2” x 1-1/4” hex bolts.

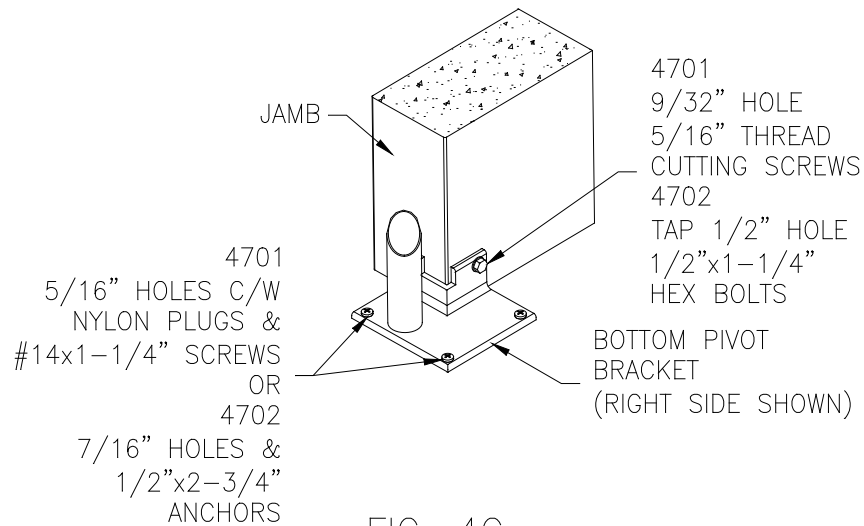
- * **Do not attach** Bottom Pivot Bracket to Jamb Guard.

- * **For two-panel door**, repeat steps for other panel.



5. Attach Bottom Pivot Bracket, *continued*

- b. **Wide Angle Corner Jamb Mount** (Option) (Figure 4c).
- Place Bottom Pivot Bracket at bottom corner of jamb.
 - * Make sure Bracket is square and level.
 - **Drill holes into floor.**
 - * Use Bottom Pivot Bracket as a template.
 - 4701 – 5/16” holes.
 - 4702 – 7/16” holes.
 - **Drill holes into jamb** through Bottom Pivot Bracket.
 - 4701 – 9/32” holes.
 - 4702 – Tap 1/2” threaded holes.
 - **Insert hardware** into jamb holes and tighten.
 - 4701 – 5/16” thread cutting screws.
 - 4702 – 1/2” x 1-1/4” hex bolts.
 - **Insert hardware** through Bottom Pivot Bracket into floor plugs.
 - 4701 – Rawl Nylon Plugs with #14 x 1-1/4” Pan Head Screws.
 - 4702 – 1/2” x 2-3/4” Anchors.
 - **Tighten.**
 - **For two-panel door,** repeat steps for other panel.



6. Attach Door Panel

- a. **Apply liberal amount of Grease** inside metal frame ends. On the top and bottom at the pivot bushing locations insert a golf ball size amount into each end.
- b. **Insert Top Pivot Bracket Sleeve and Top Pivot Bracket** into bushing in top of metal frame (Figure 5a).
- c. **Place bottom of metal frame onto Bottom Pivot Bracket Pin** (Figure 5b).
 - Make sure the Pin goes through the bushing in the metal frame.
- d. **Swing** door panel into place (Figure 5c).
 - **Match Top Pivot Bracket holes** with pre-drilled holes.
- e. **Insert hardware** into pre-drilled holes and tighten.
 - 4701 – 5/16" thread cutting screws.
 - 4702 – 1/2" x 1-1/4" hex bolts.
- f. **For two-panel door**, repeat step for other panel.

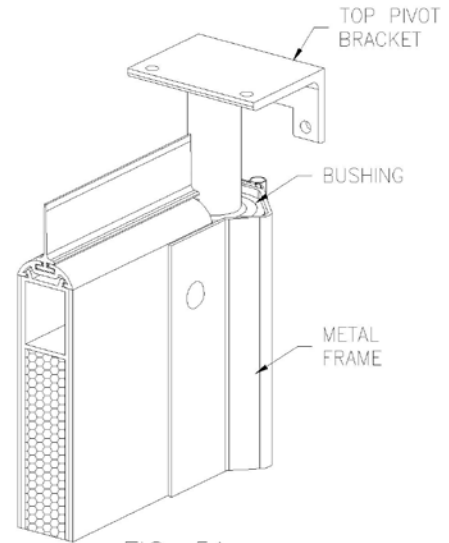


FIG. 5A

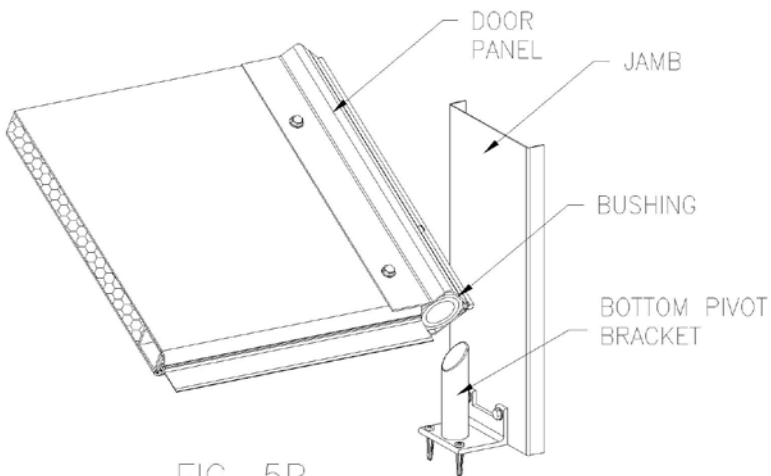


FIG. 5B

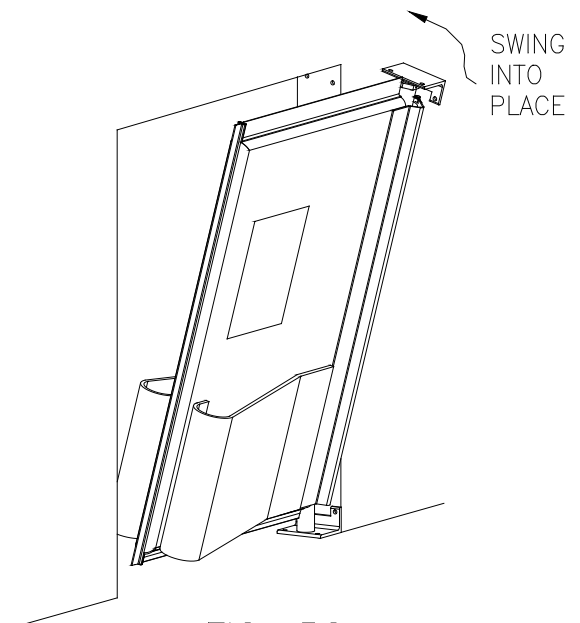


FIG. 5C

7. Make Final Door Adjustment

- a. **Align first panel in door opening** (Figure 6a).
 - Make sure **panel is level** along the top and side.
 - Make sure **panel is evenly spaced** between top and bottom of door opening.
- b. **Insert Spring Pin** (Figure 6b).
 - **Measure and mark 5"** up from bottom of metal frame.
 - **Drill 5/16"** hole through metal frame and nylon cam follower at bottom of panel.
 - * Use 3/16" pilot hole as a guide.
 - **Insert 5/16" Spring Pin** into hole.
- e. **For two panel door, repeat step for other panel.**

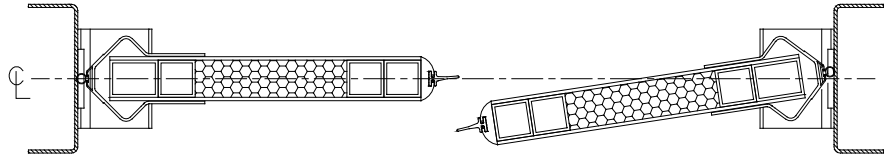


FIG. 6A

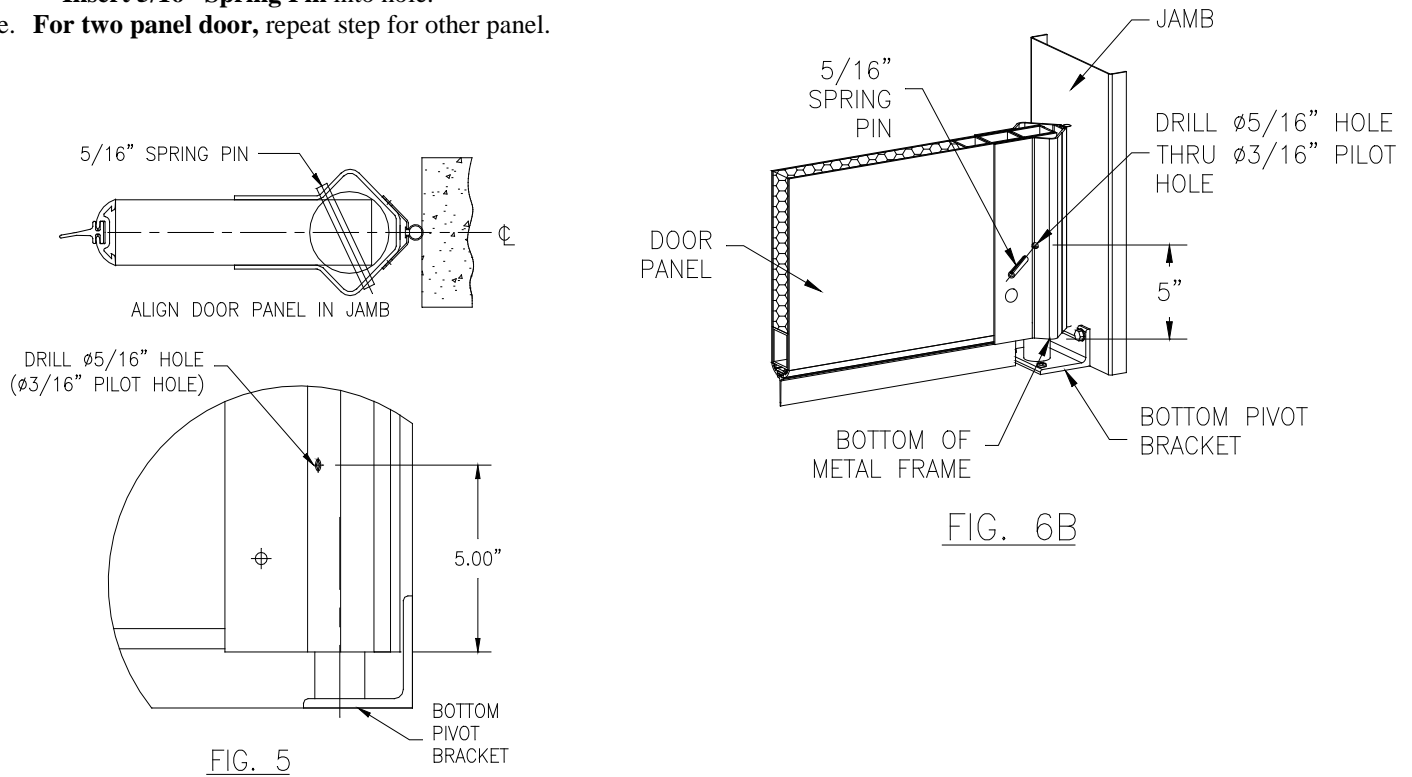


FIG. 5

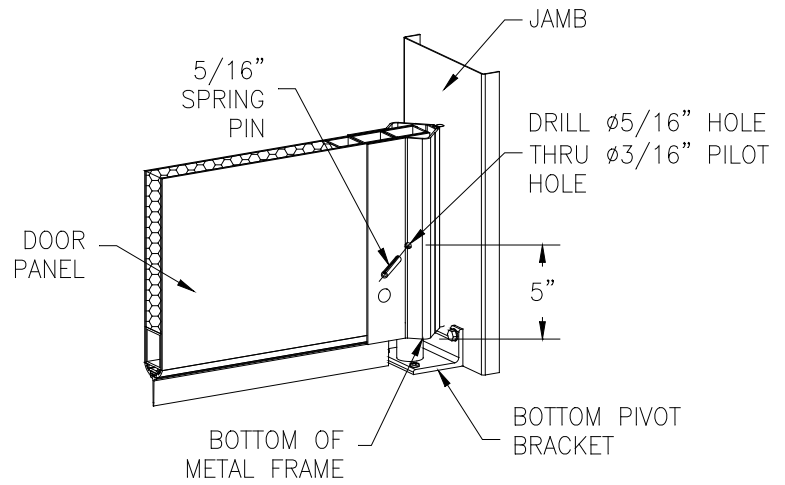


FIG. 6B

8. Install Double Dutch panel (Option)

a. Center Jamb Mount (Standard).

- **Mark and drill Double Dutch Top Pivot Bracket Holes.**
 - * Follow **Step 4a**.
- **Mark and drill Door Panel Top Pivot Bracket Holes.**
 - * **Measure Door Panel height** (Figure 7a).
 - Measure from bottom edge of bottom gasket to top edge of top gasket.
 - * **Mark jamb** from floor to this height (Figure 7b).
 - * **Place top of Top Pivot Bracket** at this mark.
 - **Match center** of Top Pivot Bracket with center of jamb.
 - * **Drill holes into jamb.**
 - 4701 – 9/32” holes.
 - 4702 – Tap 1/2” threaded holes.
 - * **Insert hardware** and hand tighten.
 - 4701 – 5/16” thread cutting screws.
 - 4702 – 1/2” x 1-1/4” hex bolts.
 - * **Temporarily leave Door Panel Top Pivot Bracket in place.**
 - * **For two-panel Double Dutch**, repeat for other panel.
- **Attach Door Panel Bottom Pivot Bracket.**
 - * Follow **Step 5a**.
- **Attach Double Dutch Bottom Pivot Bracket.**
 - * **Place Double Dutch Bottom Pivot Bracket on top of Door Panel Top Pivot Bracket.**
 - * **Drill holes into jamb.**
 - 4701 – 9/32” holes.
 - 4702 – Tap 1/2” threaded holes.
 - * **Insert hardware into jamb** and tighten.
 - 4701 – 5/16” thread cutting screws.
 - 4702 – 1/2” x 1-1/4” hex bolts.
 - * **Remove Door Panel Top Pivot Bracket.**
 - * **For two-panel Double Dutch**, repeat for other panel.
- **Attach and adjust Double Dutch Panel.**
 - * Follow **Step 6**.
 - * Follow **Step 7**.
- **Attach and adjust Door Panel.**
 - * Follow **Step 6**.
 - * Follow **Step 7**.
 - * **Insert hardware into holes** connecting the Double Dutch Bottom Pivot Bracket and the Door Panel Top Pivot Bracket (Figure 7c).
 - 4701 – 1/4” x 1” Hex Bolt, 1/4” Flat Washer, 1/4” Lock Washer, 1/4” Hex Nut.
 - 4702 – 1/2” x 1-1/2” Hex Bolt, 1/2” Lock Washer, 1/2” Hex Nut.
 - * **Tighten.**

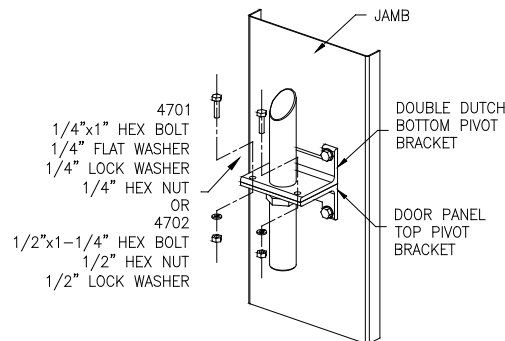
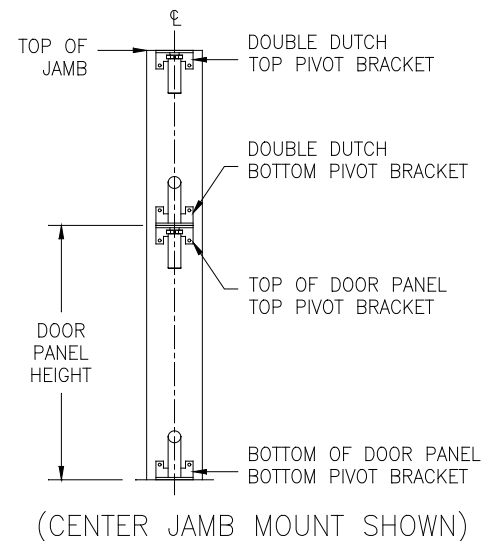
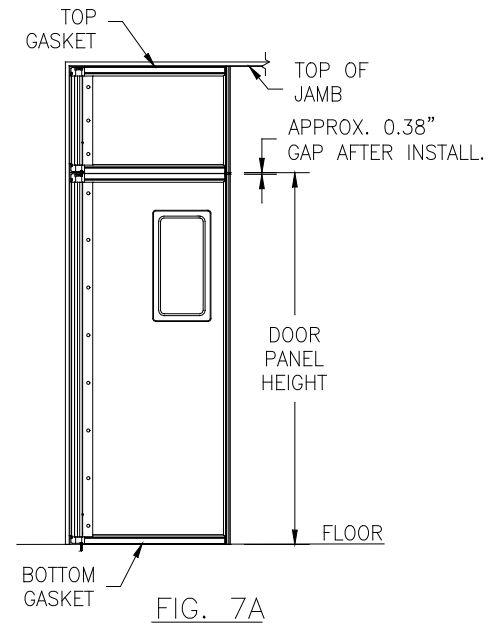


FIG. 7C

8. Install Double Dutch panel (Option), *continued*

b. Wide Angle Corner Jamb Mount (Option).

- **Mark and drill Double Dutch Top Pivot Bracket Holes.**
 - * Follow **Step 4b**.
- **Mark and drill Door Panel Top Pivot Bracket Holes.**
 - * **Measure door panel height** (Figure 7a).
 - Measure from bottom edge of bottom gasket to top edge of top gasket.
 - * **Mark corner of jamb** from floor to this distance (Figure 7b).
 - * **Place top of Top Pivot Bracket** at this mark.
 - **Align** with corner.
 - * **Drill** holes into jamb.
 - 4701 – 9/32” holes.
 - 4702 – Tap 1/2” threaded holes.
 - * **Insert** hardware and tighten by hand.
 - 4701 – 5/16” thread cutting screws.
 - 4702 – 1/2” x 1-1/4” hex bolts.
 - * **Temporarily leave** Top Pivot Bracket in place.
 - * **For two-panel Double Dutch**, repeat for other panel.
- **Attach Door Panel Bottom Pivot Bracket.**
 - * Follow **Step 5b**.
- **Attach Double Dutch Bottom Pivot Bracket.**
 - * **Place Double Dutch Bottom Pivot Bracket on top of Door Panel Top Pivot Bracket.**
 - * **Drill** holes into jamb.
 - 4701 – 9/32” holes.
 - 4702 – Tap 1/2” threaded holes.
 - * **Insert** hardware and tighten.
 - 4701 – 5/16” thread cutting screws.
 - 4702 – 1/2” x 1-1/4” hex bolts.
 - * **Remove** Door Panel Top Pivot Bracket.
 - * **For two-panel Double Dutch**, repeat for other panel.
- **Attach and adjust Double Dutch Panel.**
 - * Follow **Step 6**.
 - * Follow **Step 7**.
- **Attach and adjust Door Panel.**
 - * Follow **Step 6**.
 - * Follow **Step 7**.
 - * **Insert hardware into holes** connecting the Double Dutch Bottom Pivot Bracket and the Door Panel Top Pivot Bracket.
 - 4701 – 1/4” x 1” Hex Bolt, 1/4” Flat Washer, 1/4” Lock Washer, 1/4” Hex Nut.
 - 4702 – 1/2” x 1-1/2” Hex Bolt, 1/2” Lock Washer, 1/2” Hex Nut.
 - * **Tighten**.

9. Install Cane Bolt (Option)

- a. Make sure **door is fully closed**.
- b. **Mark hole location** in floor (Figure 8).
- c. **Drill 1" diameter hole** in floor.
 - **Insert metal sleeve** to protect hole from wear.
- d. **Test Cane Bolt**.
 - **Slide Cane Bolt** up to unlock door.
 - * **Make sure Cane Bolt does not interfere with door.**
 - **Slide Cane Bolt** back down to lock door.
- e. **Repeat** for other side.
- f. **Return to Step 6c** to test door.

10. Install Hold Open Device (Option)

- a. (Figure 9).
 - .

Series 4700 · RIGID INSULATED IMPACT DOOR

TROUBLESHOOTING INSTRUCTIONS

PLEASE READ THIS GUIDE BEFORE CALLING YOUR SERVICE PROFESSIONAL.

MAKE SURE THE DOOR IS SAFE TO EXAMINE BEFORE STARTING ANY TROUBLESHOOTING.

FOLLOW ALL WORKPLACE SAFETY PROCEDURES TO PREVENT INJURY TO SERVICE PERSONNEL, EMPLOYEES, AND THE PUBLIC.

T1. Adjust Gasket Overlap

- a. Do not trim the gasket blade.
- b. Remove Gasket.
- c. Cut off the back rib.
- d. Re-insert Gasket.