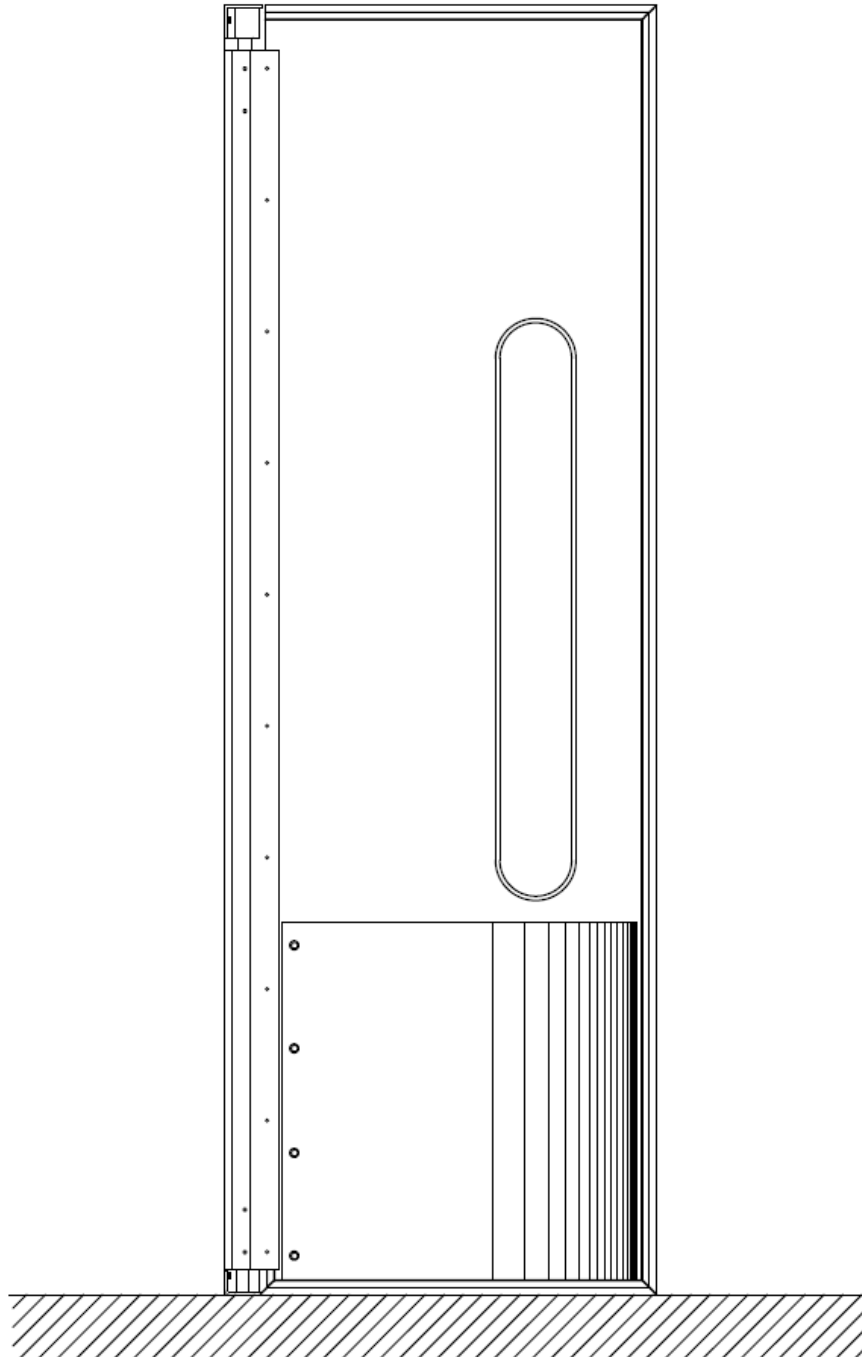


# ALL-STAR Series - Model 75 Impact Door

## INSTALLATION INSTRUCTIONS

**READ ALL INSTRUCTIONS BEFORE INSTALLING. SUPER SEAL MFG. LTD. WILL NOT BE HELD RESPONSIBLE FOR IMPROPER INSTALLATION OF ANCHORING DEVICES, OR FOR INSTALLATION INTO AGED OR UNSOUND CONCRETE, CONCRETE BLOCK, OR OTHER WALL OR FLOOR MATERIAL WHICH MAY RESULT IN PREMATURE PRODUCT WEAR, PRODUCT FAILURE, PROPERTY DAMAGE, OR PERSONAL INJURY.**



**Note:** Before Installation see hardware list at back of this manual (page 4)

## 1. Check Door

### a. Measure door opening height and width.

-Make sure dimensions match Purchase Order.

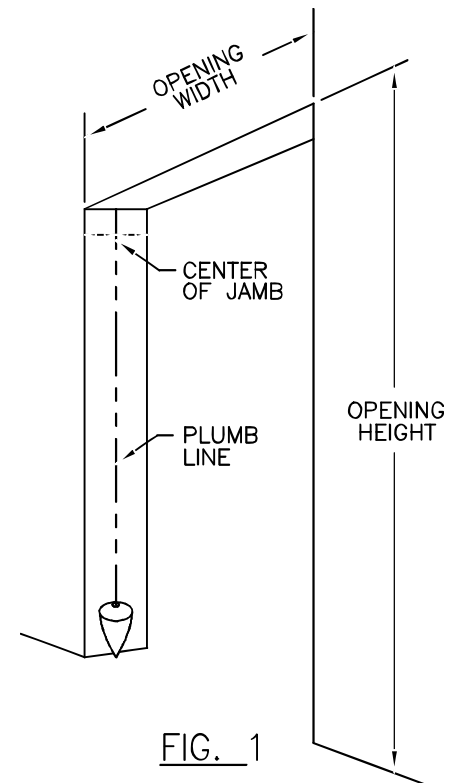
### b. Check *Components List* and *Hardware Supplies List* to make sure all listed are present (Page 4).

-Super Seal supplies self-drilling screws for door installation on steel jambs.

-For jambs other than steel, the owner/contractor must supply suitable fasteners.

### c. Check *Recommended Tools List* and make sure all are available (Page 4).

### d. Recommended door jamb: Steel, 1/8" thick by 4" wide.



## 2. Prepare Door Frame

### a. Correct door opening height and width.

-Measure left and right sides of door opening from top to bottom. *The height of the left and right sides of the opening should be the same.*

-Measure the top and bottom of door opening from side to side. *The width of the top and bottom of the opening should be the same.*

-Prepare shims to correct any problems.

### b. Mark center of jamb.

-Measure the jamb width at the top of the door jamb (Fig.1).

-Mark the center point.

-Drop a plumb line from the center point to the floor and mark (Fig. 1).

### c. Mark and drill top pivot bracket holes.

-Centre top pivot bracket at top of door jamb and mark hole locations (Fig. 2).

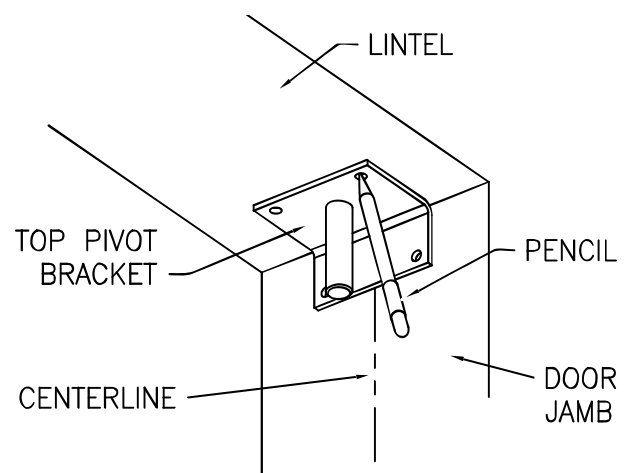


FIG. 2

## 2. Prepare Door Frame (Cont'd)

### d. Mark and drill bottom bracket/jamb guard holes.

- No jamb guard: line up bottom pivot bracket with the plumb line at the bottom of the jamb.
- Drill self-threading screw into jamb.
- Drill and insert shield and screw into floor, using 5/8" masonry drill bit.
- With a jamb guard: line up jamb guard with the plumb line.
- Drill and fasten jamb guard to floor with supplied anchor bolts (Fig. 3) (Use 5/8" concrete drill).
- Drill and fasten jamb guard to lintel with supplied self-threading bolts (Pre-drill holes with 1/4" drill) (Fig. 3).

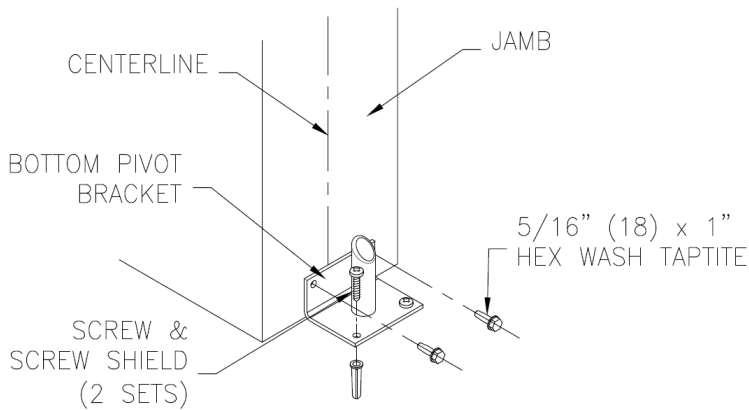


FIG. 3

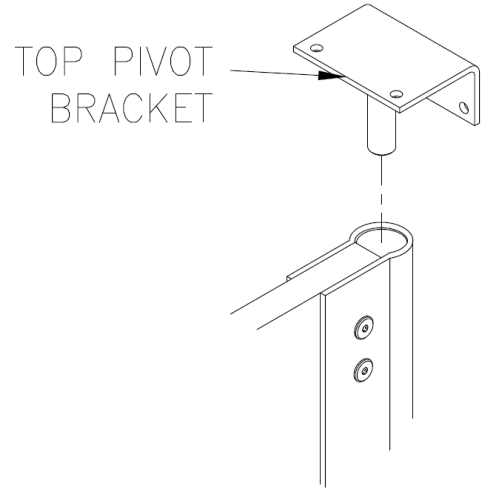


FIG. 4

## 3. Grease top and bottom hinge bearings.

## 4. Insert top pivot bracket into top of door spine (Fig. 4).

## 5. Attach Door Panel.

- a. Lift door panel into place (Fig. 5).
- b. Straighten door and push down the top pivot bracket so as to fit door into place (Fig. 6).
- c. For two-panel door, repeat steps for other panel.

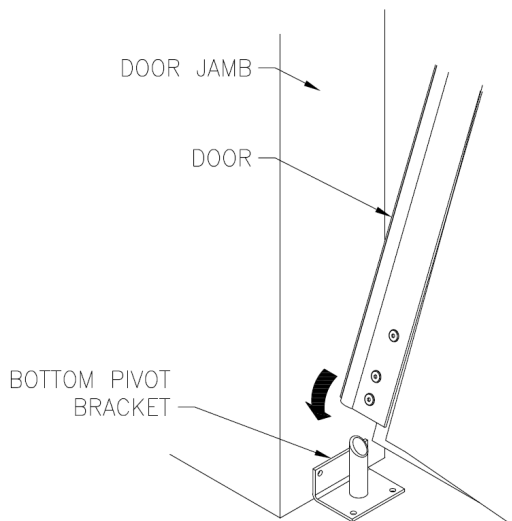


FIG. 5

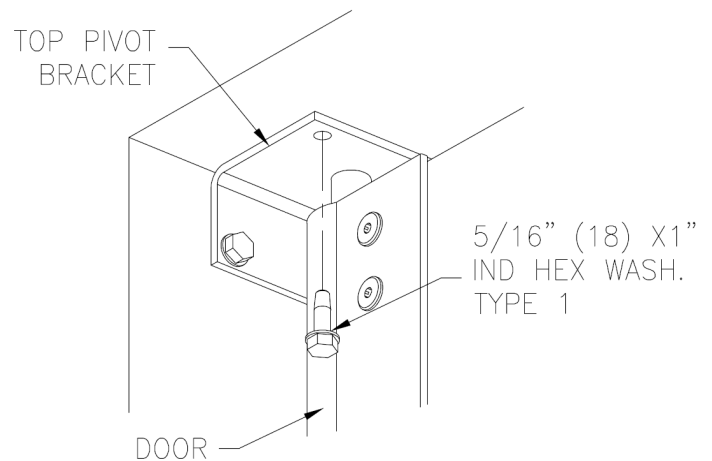


FIG. 6

## 6. Make Final Door Adjustments.

### a. Align first panel in door opening.

- Make sure the panel is level along the top and side.
- Make sure the panel is evenly spaced between top and bottom of door opening.
- Swing door panel back and forth to ensure that door sits properly on jamb guard/bottom pivot bracket.
- Hold door panel at proper closing position and drill 1/4" hole through aluminum extrusion and nylon cam follower at bottom of panel (drill through to other side using 3/16" pilot hole as a guide).
- Insert spring pin by tapping with hammer (Fig.7).
- Allow panel to swing fully in both directions. *If panel does not close in line, shim pivot brackets as needed.*
- Repeat until panel swings properly and in line.

### b. For two panel door, repeat step for other panel.

### c. Make sure front edge is level when door is fully closed.

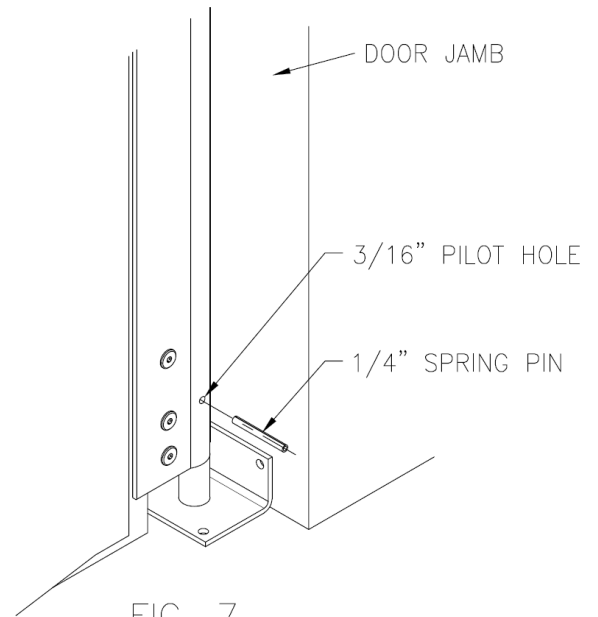


FIG. 7

The Following Lists Cover Basic Installation, Not Including Options.

### Components List (Per Assembly)

No.	Description	Qty.
1	Door Panel (Assembled)	1

### Hardware List (Per Assembly)

No.	Description	Qty.
1	Top Pivot Bracket	1
2	Bottom Pivot Bracket or Jamb Guard	1
4	1/4" x 2 1/4" Spring Pin	1
5	5/16" Self-Threading Bolts	6
6	#14 x 1-1/4" Pan Head Screws	2
7	Rawl Nylon Plugs	2
8	Installation Instructions	1

### Recommended Tools (Typical Masonry Wall)

No.	Description	Qty.
1	Tape Measure	1
2	Plumb line or Level	1
3	Pencil or Marker	1
4	Square	1
5	Power Drill	1
6	1/4" Drill Bit	1
7	5/16" Masonry Drill Bit	1
8	Hammer Drill	1
9	Hammer	1
10	3/8" Drive Socket	1
11	General Purpose Glue	1

## Maintenance for (ALL-STAR 75)

**Maintenance on doors to be done every 12 months or as Required.**

### Greasing Instruction:

#### Remove Door Panel from Jamb.

- Remove top pivot bracket
- Lift door panel off bottom pivot bracket. (Do not remove bottom pivot bracket)
- Place door on safe clean surface.

#### Inspect Hinge Hardware

- Clean and inspect top and bottom pivot brackets for wear or damage.
- Clean and inspect bearing and V-cam follower
- Clean and inspect bearing and spring.
- Repair or replace damaged or worn parts if required.
- Re-assemble door hinge hardware and fasten to door panel

#### Apply Grease (Note: Use General Purpose Grease or Customer Specified Grease)

- Apply liberal amount of grease inside each end of pivot location.
- Apply grease to pivot shafts.

#### Re-Install Door Panel

- Place door panel over bottom pivot shaft.
- Insert top pivot bracket on top of panel.
- Place door and bracket in original position and fasten to jamb.

(Note: If bottom V-Cam Follower had been replaced drill and pin door.)

**Repeat for additional door panels**

**Customer:** \_\_\_\_\_ **Attention:** \_\_\_\_\_  
**Location:** \_\_\_\_\_ **Phone #:** \_\_\_\_\_  
**Date:** \_\_\_\_\_ **Fax #:** \_\_\_\_\_  
**Inspected By:** \_\_\_\_\_

Inspect Door (STOP TRAFFIC THROUGH OPENING)	<input type="checkbox"/>	Lub.	Repair Req'd?	Description of Repair / Maintenance	Repair Date	Initial
<b>DOOR MOUNTING HARDWARE</b> - Wall Anchors - Floor Anchors	<input type="checkbox"/>					
<b>DOOR HINGE HARDWARE</b> - Top Pivot Bracket - Bottom Pivot Bracket - Top Bearing Bushing - Bottom bearing Bushing - Bottom V-Cam Follower - Top Spring	<input type="checkbox"/>					
<b>DOOR PANEL ACCESSORIES</b> - Door Panel and Cladding - Window and Gasket - Bumpers and Fasteners - Perimeter Gasket Seal	<input type="checkbox"/>					

**Note:** Review door with customer to ensure that the door(s) and are properly tested, thus guaranteeing maximum user safety given the door application and the expected traffic.

**Comments**

---



---

**Repairs Recommended**

---



---



---



---



---



---