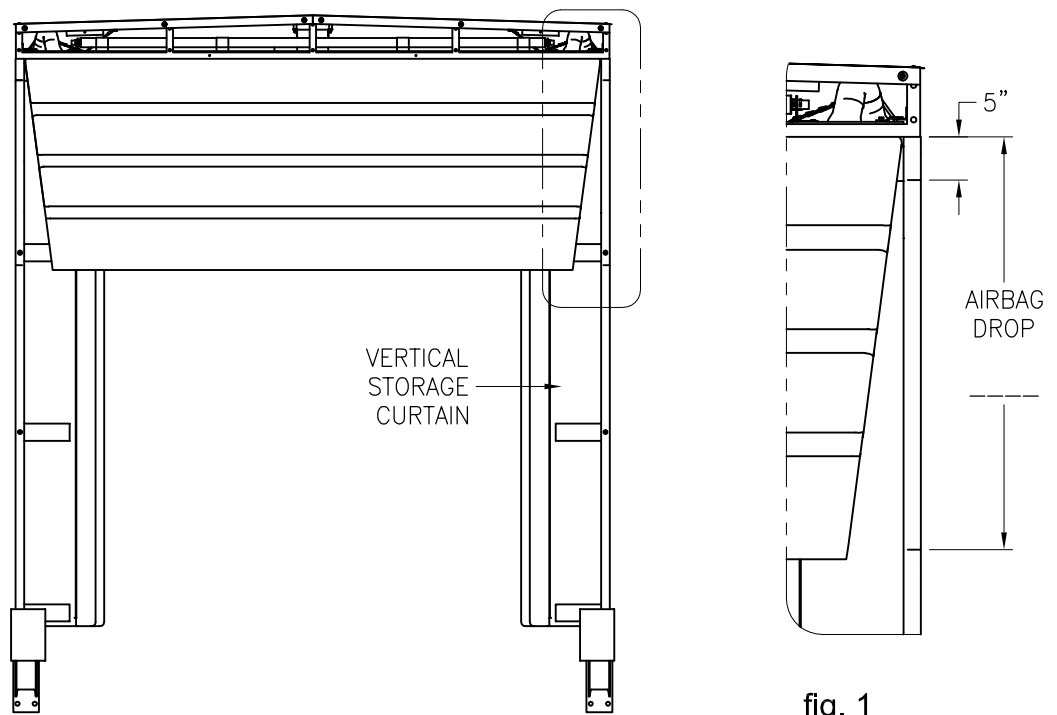


401A TRUCK SHELTER CABLED HEAD BAG INSTALLATION INSTRUCTIONS

Read all instructions before installing cable device.



1. MARK BOTH SIDES OF SHELTER

- a. Measure and mark on edge trim from top of vertical frame 5" down (see fig. 1).
- b. Measure and mark on edge trim from top of vertical frame the distance of airbag drop down. example: if the airbag is a 48" drop, measure 48" down from the top of vertical frame and mark (see fig. 1).
- c. Repeat this process for other side.

2. Attach top tension bracket with cable

- a. Ensure that a tension bracket and cable are assembled as shown.
- b. Align bottom of tension bracket to top line and tek screw into place (see fig. 2).

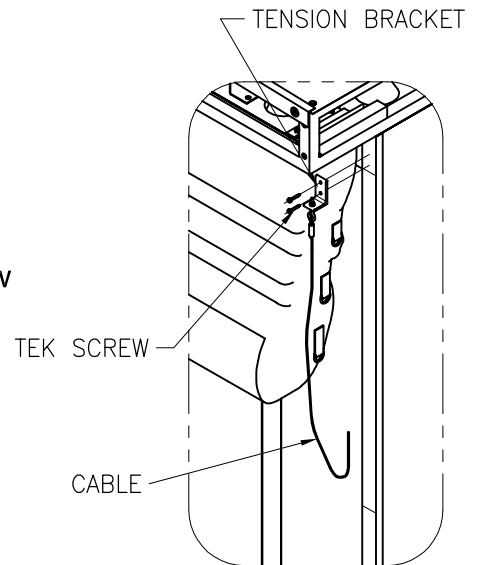


fig. 2

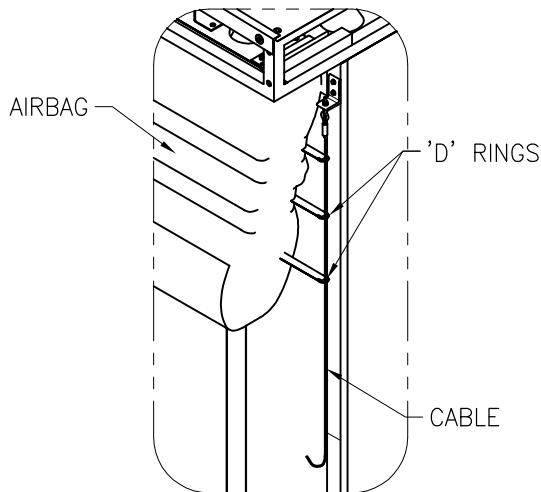


fig. 3

3. Feed Cable Through 'D' Rings

- a. Feed cable through 'D' rings on side of headerbag (see fig. 3).

4. Attach Tension Bracket to Cable End.

- a. Attached the loose end of cable to the second tension bracket as shown (see fig. 4).

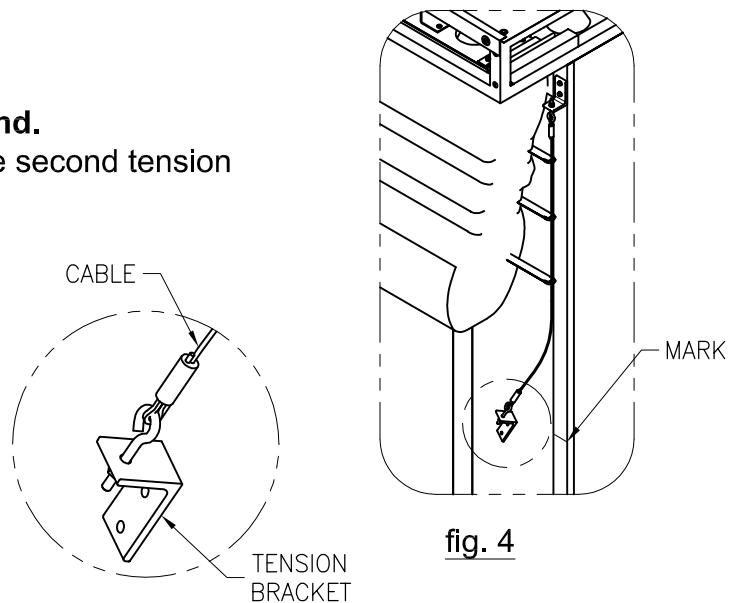
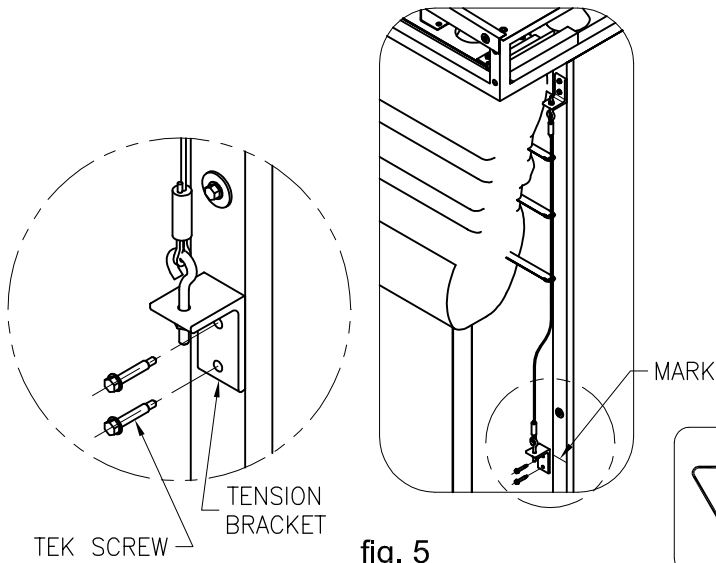


fig. 4



5. Attach Tension Bracket to Unit

- a. Align bottom edge of tension bracket to second mark on edge trim (see fig. 5).
- b. Tek screw into place (see fig. 5).



TIGHTEN CABLES BY TURNING THE HEX NUTS ON THE EYE BOLTS.

- c. Repeat entire process for other side.