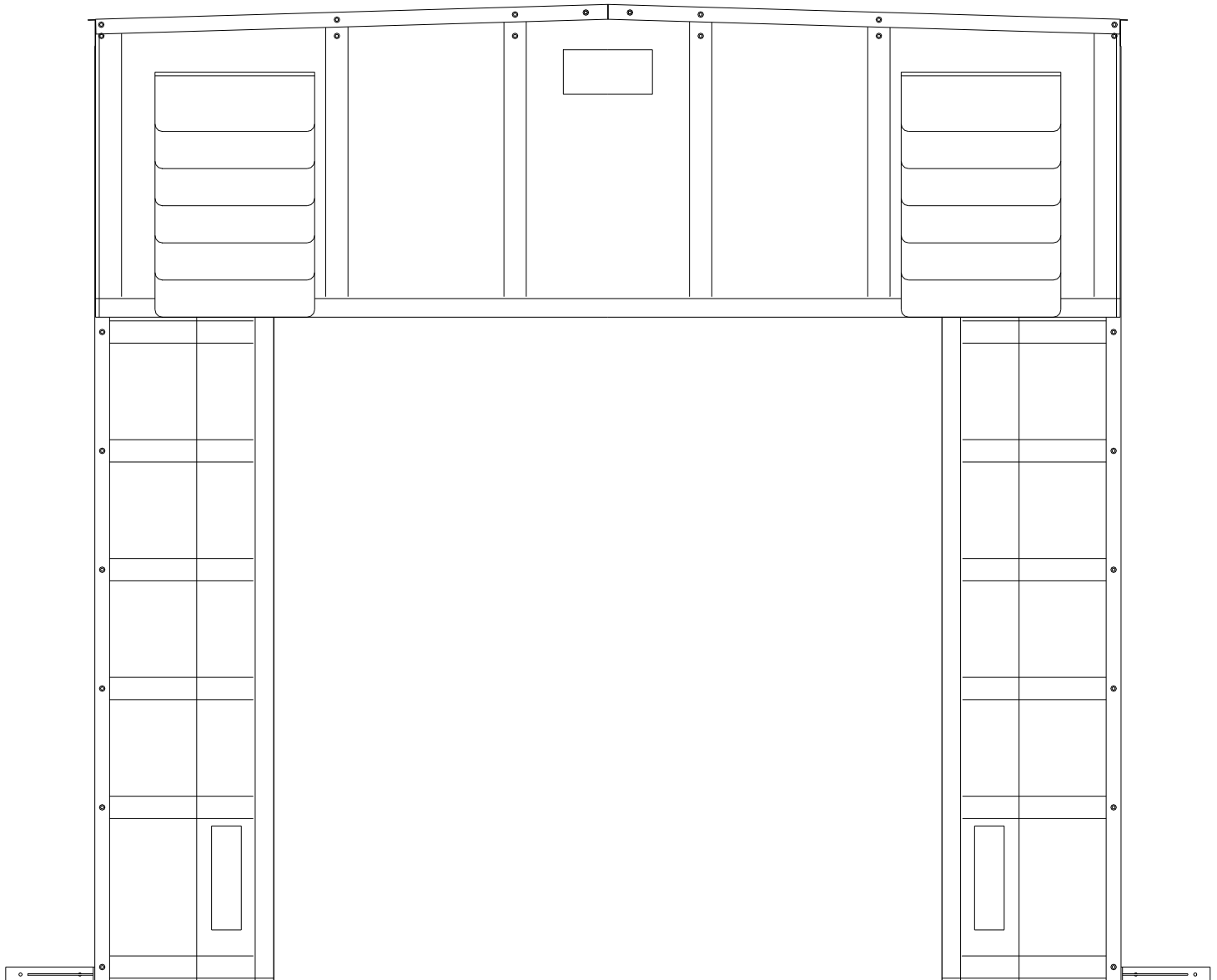


Series 0401 – Stationary Truck Shelter

INSTALLATION INSTRUCTIONS



Series 0401 - STATIONARY TRUCK SHELTER

INSTALLATION LISTS

THE FOLLOWING LISTS COVER BASIC INSTALLATION, INCLUDING SOME OPTIONS

Components List (per Unit)

No.		Qty.
1	Vertical Panels	2
2	Header Panel	1
3	Vertical Frames	2
4	Head Frame	1
5	Stabilizing Brackets (Standard if no Protective Guards)	2
6	Protective Guards (Option)	2
7	Bottom Pads (Option)	2

Hardware Supplied List (per Unit)

No.		Qty.
8	3/8" Sleeve Anchors	9
9	1/4" x 1-1/4" Concrete Screws (Stabilizing Bracket)	4
10	3-Hole Mounting Brackets	9
11	4-Hole Mounting Brackets	2
12	1/4" x 1-1/2" Self-drilling Screws	62
13	3/8" Washers	28
14	#10 x 3/4" Self-drilling Screws	12
15	1/4" Washers	12
16	Wind Straps (24" Bungee)	2
17	4-Hole Mounting Brackets (Bottom Pad Option)	4
18	#14 x 1-1/2" Flat Quad Screws (Bottom Pad Option)	8
19	1/4" x 1-1/2" Self-drilling Screws (Bottom Pad Option)	8
20	Installation Instructions	1

Recommended Tools List

Qty.		Qty.	
1	Tape Measure	1	Hammer Drill
1	Plumb Line or Level	1	3/8" Masonry Drill Bit
1	Pencil or Marker	1	Hammer
1	Square	1	#2 Robertson Screwdriver
1	Power Drill	2	1/2" Wrench
1	3/8" Hex Head Driver Bit	3	Flat 2 x 4 supports
			Caulking (Silicon or Butyl Rubber)

Series 0401 - STATIONARY TRUCK SHELTER

INSTALLATION INSTRUCTIONS

READ ALL INSTRUCTIONS BEFORE INSTALLING SHELTER. SUPER SEAL MFG. LTD. WILL NOT BE HELD RESPONSIBLE FOR IMPROPER INSTALLATION OF ANCHORING DEVICES, OR FOR INSTALLATION INTO AGED OR UNSOUND CONCRETE, CONCRETE BLOCK, OR OTHER WALL OR FLOOR MATERIAL WHICH MAY RESULT IN PREMATURE PRODUCT WEAR, PRODUCT FAILURE, PROPERTY DAMAGE, OR PERSONAL INJURY.

1. Check Order

- a. **Measure door opening height and width.**
 - Make sure dimensions match the Purchase Order.
 - **Make sure there is enough space to install shelter** (Figure 1a – Standard Unit).
 - * Check for existing:
 - dock seals
 - bollards or obstacles
 - lights and conduit
 - drains.

NOTE: MAKE SURE THERE IS ENOUGH SPACE BETWEEN THE DOOR OPENING AND THE FRAMES TO INSTALL THE MOUNTING BRACKETS ON THE INSIDE OF THE SHELTER.

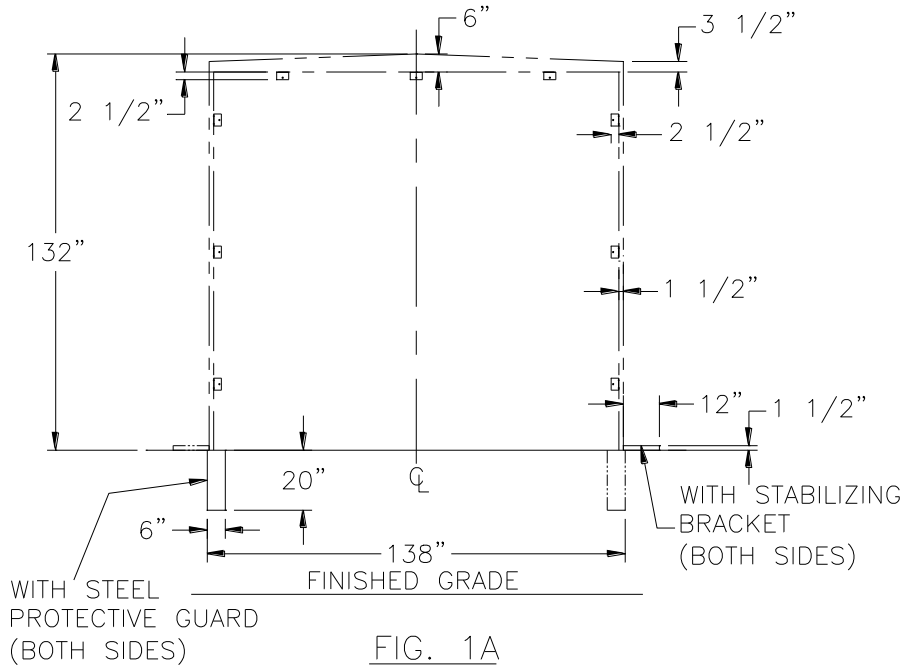


FIG. 1A

- If there is not enough space, install the Mounting Brackets on the outside of the Frames (Figure 1b).
- **Standard units are designed for a 48" dock height, level approach.**
- b. **Check Components and Hardware Supplied List.** Make sure all components and hardware are present.
- c. **Check Recommended Tools List.** Make sure all recommended tools are available.
- d. **Determine method of mounting shelter to wall.**
 - Super Seal supplies 3/8" sleeve anchors with the shelter. **The customer must supply any other mounting hardware**, including that for Steel Protective Guards.
 - **Concrete Block, Precast Concrete, or Brick wall:** Use supplied sleeve anchors. If anchors will not hold, use 3/8" threaded rod for through-bolt (not supplied).
 - **Metal Siding:** Use 3/8" threaded rod for through-bolt fastening with steel or wood backup plate (not supplied).
 - **WELDING THE SHELTER TO THE WALL IS NOT RECOMMENDED.**

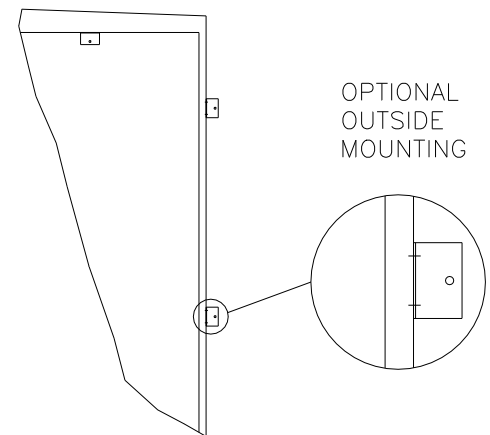


FIG. 1B

2. Prepare Dock Door Opening

- a. **Measure and mark center** of dock door opening (Figure 2).
 - Mark centerline on dock floor.
 - Mark centerline on lintel above door.
 - * Extend line to 138" above dock floor.
 - **Make sure marks are plumb** to each other.
- b. **Draw a level line** even with the dock floor along both sides of dock face.
- c. **Measure Head Frame width** and divide by 2.
- d. **Mark Vertical Frame positions.**
 - **Measure 1/2 the Head Frame width** from dock floor centerline to one side of level line.
 - **Mark.**
 - **Repeat** for other side.

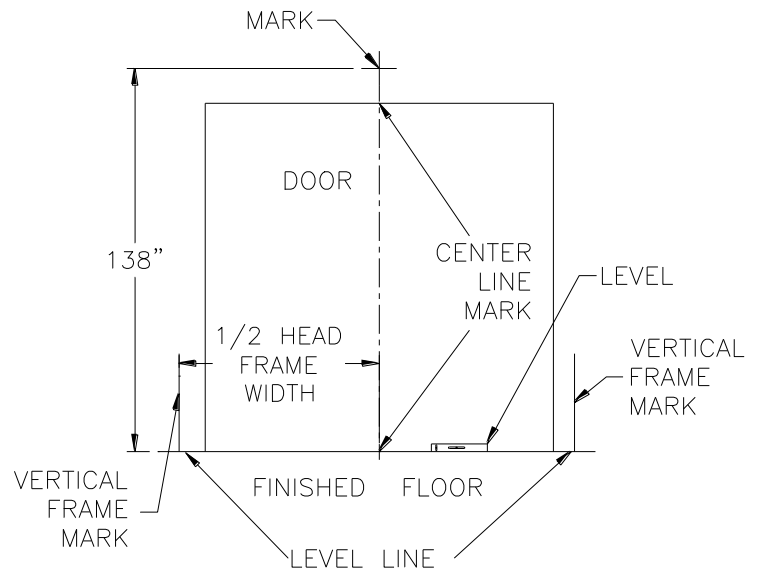


FIG. 2

3. Mount Stabilizing Brackets or Steel Protective Guards

- a. **Position Bracket or Guard.**
 - **If Bracket:**
 - * Place Bracket on its side, flush to wall along top of level line, extending away from door opening (Figure 3a).
 - * Position other Bracket leg along outside of Vertical Frame mark.
 - **If Guard:**
 - * Determine left and right Protective Guards. The welded bracket goes to the side farthest away from door opening (Figure 3b).
 - * Place top flat surface of Protective Guard along level line.
 - * Place outside edge of Protective Guard 5/8" outside Vertical Frame mark.
- b. **Bracket or Guard must be perpendicular to building wall, level, and square.**
 - Shim if necessary.
- c. **Bolt Bracket or Guard to wall.**
 - **If Bracket:**
 - * Use 1/4" x 1-1/4" concrete screw (supplied) or appropriate mounting hardware.
 - **If Guard:**
 - * Recommend using 5/8" x 3-1/2" wedge anchor bolts or appropriate mounting hardware (not supplied).
- d. **Repeat** for other side.
- e. **Make sure left and right Brackets or Guards are level to each other.**

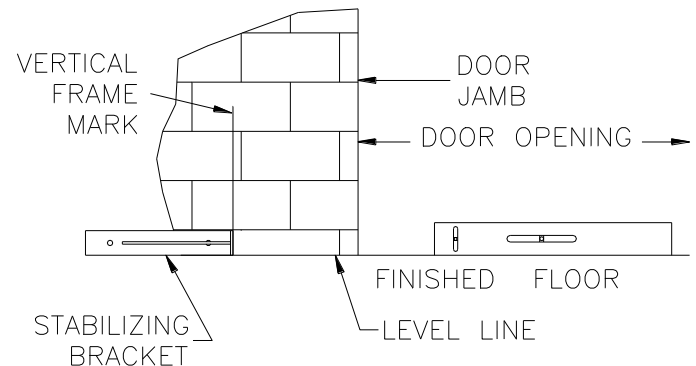


FIG. 3A

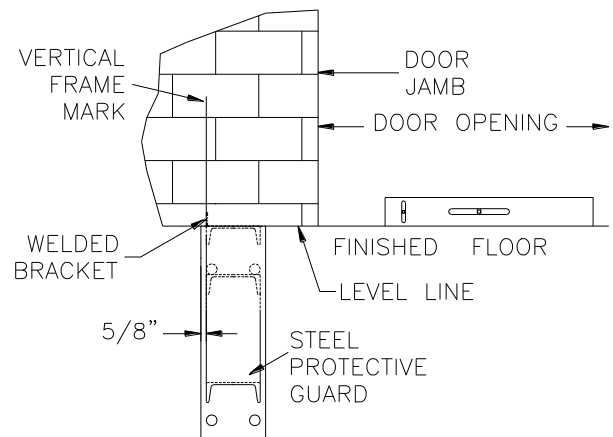


FIG. 3B

4. Attach Mounting Brackets to Vertical Frames

- a. **Place Vertical Frames** on clean, flat 2 x 4 supports.
 - Place siding face down, wall edges to inside.

NOTE: DO NOT PUNCTURE OR SCRATCH SIDING.

- b. **Position Mounting Brackets** on Wall Edge of Vertical Frame (Figure 4).
 - Use **three (3) 3-hole** Mounting Brackets per Vertical Frame.
 - Measure **12"** in from **top and bottom** of Vertical Frame.
 - Position **top and bottom** Mounting Brackets **inside** of 12" mark.
 - * Place **along wall side**, angle flush to edge.
 - Position third Mounting Bracket in **center**.
- c. **Attach** Mounting Brackets to Vertical Frame with 1/4" self-drilling screws.
- d. **Position 4-hole Angle Bracket** on Vertical Frame (Figure 4).
 - Measure **6"** in from **Front Edge** on top cross-member.
 - Position **4-hole Mounting Bracket** on bottom of cross-member.
 - * The top of the Bracket will extend above the Vertical Frame.
 - **Attach** the Mounting Bracket to the Vertical Frame with 1/4" self-drilling screws.
- e. **Repeat** steps b, c, and d for other Vertical Frame.

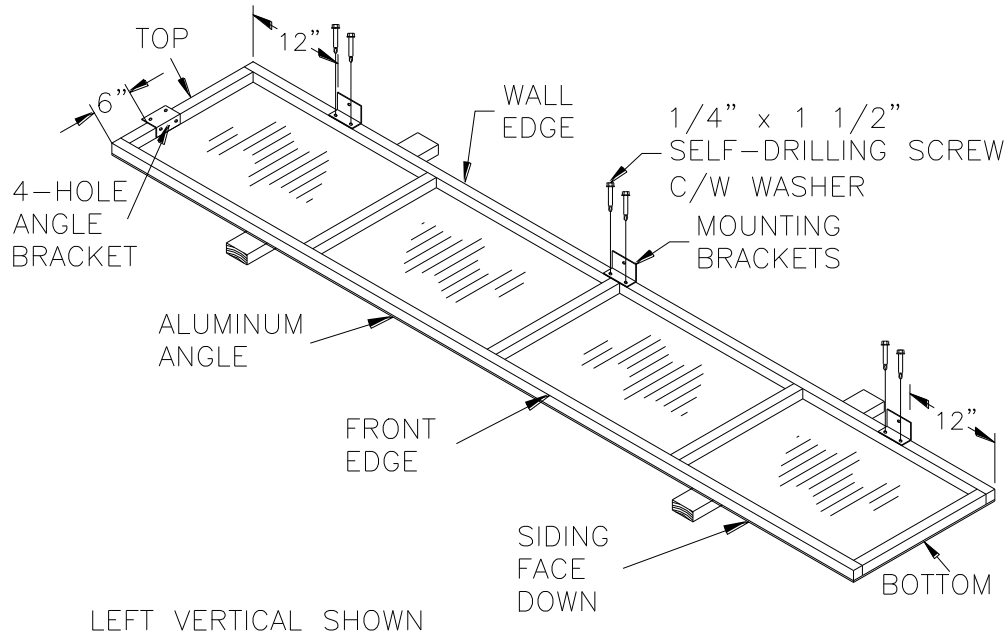


FIG. 4

5. Attach Vertical Panels to Vertical Frames

- a. **Remove Aluminum Angle** from front edge.
 - Rest Vertical Frame on wall edge and Mounting Brackets.
- b. **Determine left and right Vertical Panels.**
 - Raw edge attaches to Vertical Frame.
 - Yellow stripe appears at bottom and "Z" reinforcement appears at the top.
- c. **Position and secure Vertical Panel.**
 - **Place bottom of Vertical Panel flush with bottom of Vertical Frame** (Figure 5a).
 - * **Raw edge flush** with frame edge.
 - **Secure at bottom** with #10" self-drilling screw and 1/4" washer.
 - * Do not put screw through stay.
 - **Spread rest of Vertical Panel** along Vertical Frame.
 - * Keep flush with frame edge, ensuring a tight fit.
 - * Vertical Panel will be shorter than the Vertical Frame.
 - **Secure** Vertical Panel between stays with three (3) other evenly spaced #10" self-drilling screws and 1/4" washers.

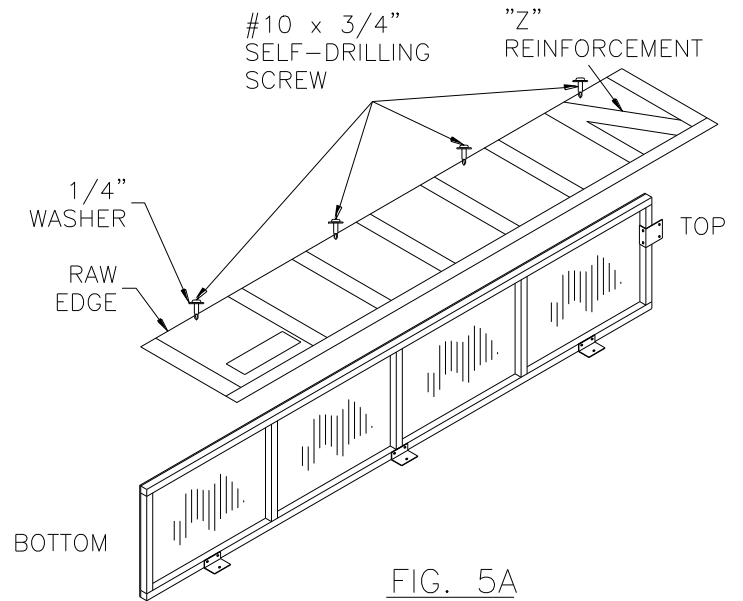


FIG. 5A

6. Re-attach Aluminum Angle to Front Edge of Vertical Panel

- a. **Match holes** in Aluminum Angle with holes in Vertical Panel stays (Figure 5b).
- b. **Attach** to Vertical Frame using 1/4" self-drilling screws and 3/8" washers.

7. Attach Wind Strap to Aluminum Angle.

- a. **Place Wind Strap "S" hook** at hole at top of Vertical Frame (Figure 5c).
- b. **Attach "S" hook** 1" down from top and 3/4" in from outside edge.
 - * Use 1/4" self-drilling screw and 3/8" washer.
- c. **Pull Wind Strap down 36"** along Aluminum Angle or until taut.
- d. **Attach bottom "S" hook** 3/4" in from outside edge.
 - * Use 1/4" self-drilling screw and 3/8" washer.
- e. **Repeat Steps 5, 6, and 7** for other Vertical Frame.

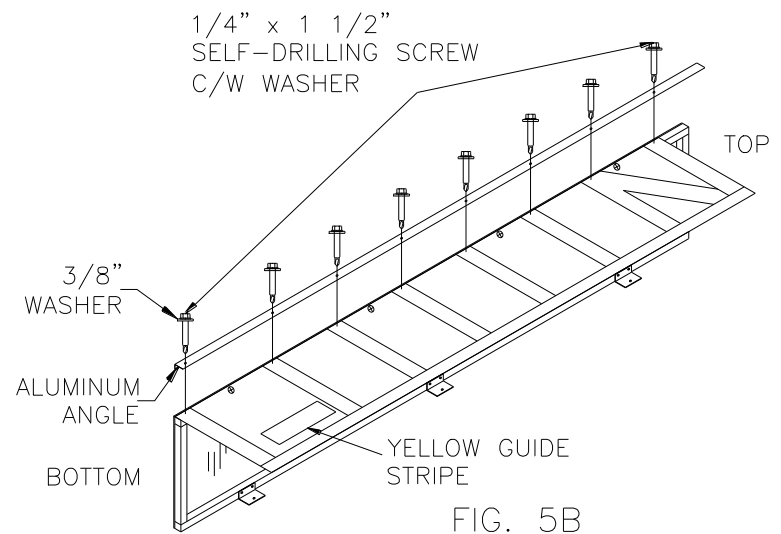


FIG. 5B

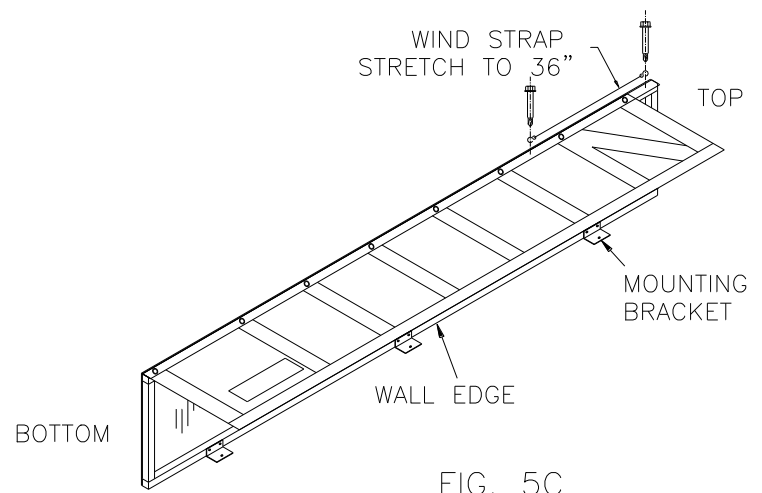


FIG. 5C

8. Prepare Head Frame

- a. **Determine front from back** on Head Frame.
 - The front has Aluminum Angle trim.
- b. **Remove Aluminum Angle** from front edge.
- c. **Place Head Frame front down** on clean, flat 2 x 4 supports.

NOTE: DO NOT PUNCTURE OR SCRATCH SIDING.

- d. **Position Mounting Brackets** on Head Frame (Figure 6).
 - Use **three (3) 3-hole** Mounting Brackets.
 - **Measure 24"** in from each end of Head Frame.
 - * Place left and right Mounting Brackets **inside marks**.
 - * Place Mounting Brackets **along bottom** of Head Frame, corner flush to back of frame.
 - Place third Mounting Bracket in **center**.
- e. **Attach** Mounting Brackets to Head Frame with 1/4" self-drilling screws.

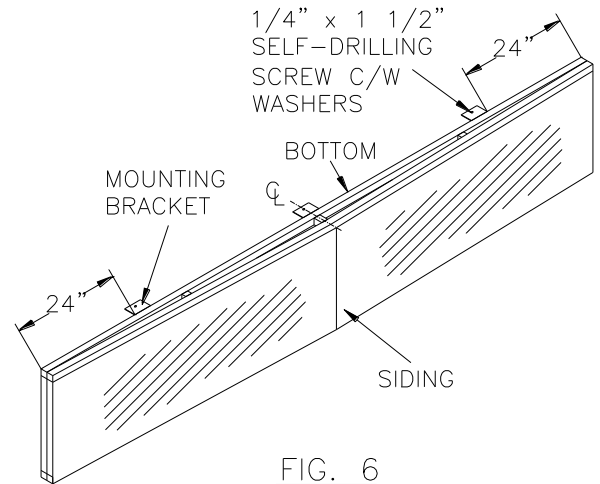


FIG. 6

9. Attach Vertical Frames to Wall

- a. **Position Vertical Frame.**
 - **If using Stabilizing Bracket** (Figure 7a):
 - * If desired, temporarily mount a bracket (not supplied) at Level Line and Vertical Frame mark to support Vertical Frame while attaching to wall.
 - * Lift Vertical Frame up onto wall.
 - * Place wall edge flush to wall.
 - * Place Siding flush to Vertical Frame mark.
 - **If using Steel Protective Guard** (Figure 7b):
 - * Lift Vertical Frame on top of Protective Guard.
 - * Place wall edge flush to wall.
 - * Place Siding flush to welded bracket on Protective Guard.

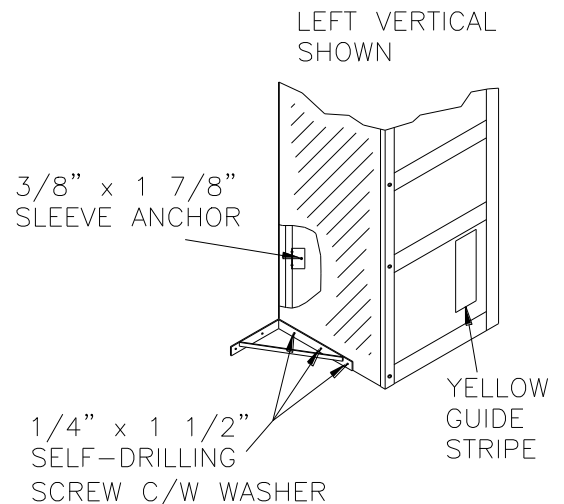


FIG. 7A

- b. **Make sure Vertical Frame is plumb, level, and square.**
- c. **Attach Vertical Frame to wall.**
 - **Drill** hole through bottom Mounting Bracket only.
 - **Insert** sleeve anchor or other appropriate mounting hardware into bottom Mounting Bracket hole.
- d. **Attach Vertical Frame to Stabilizing Bracket or Protective Guard.**
 - **Insert** 1/4" self-drilling screws into holes in Stabilizing Bracket or holes in welded bracket on Protective Guards.
 - **Secure.**
- e. **Repeat** for other Vertical Frame.

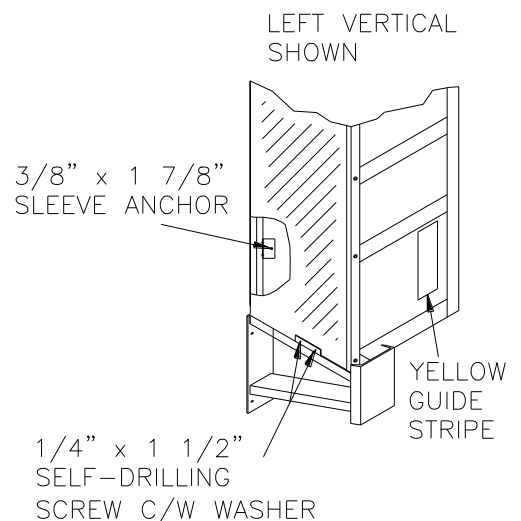


FIG. 7B

10. Attach Head Frame to Vertical Frame

- a. Lift Head Frame onto Vertical Frames.

NOTE: USE APPROPRIATE, SAFE LIFTING METHOD.

- b. Place Head Frame on Vertical Frames.

- Set Head Frame on outside of left and right Angle Brackets (Figure 8a).
- Position Head Frame flush to wall and flush to front of Vertical Frames.

- c. Attach Head Frame to Vertical Frames (Figure 8b).

- Insert 1/4" self-drilling screws through Angle Brackets and secure.
 - * Drill at top of Angle Bracket holes.
- Repeat for other side.

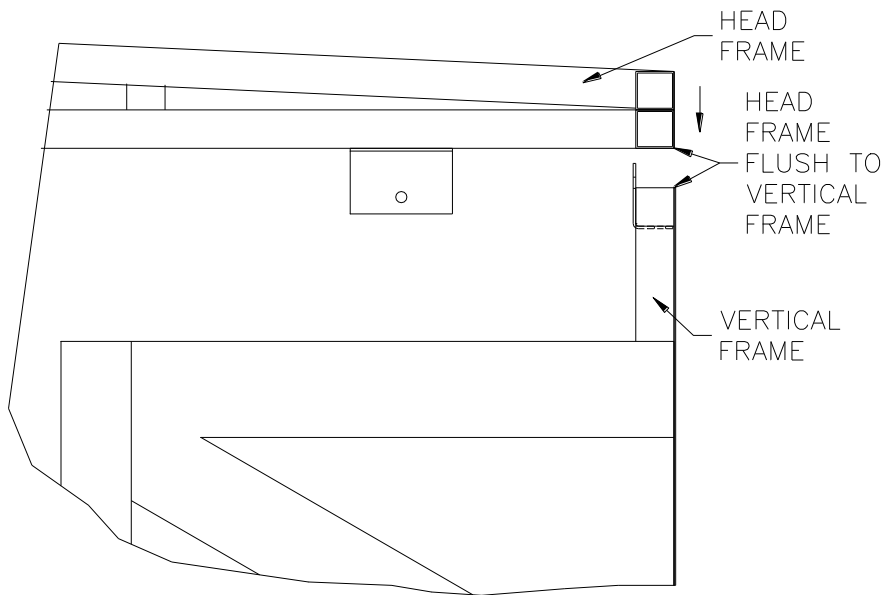


FIG. 8A

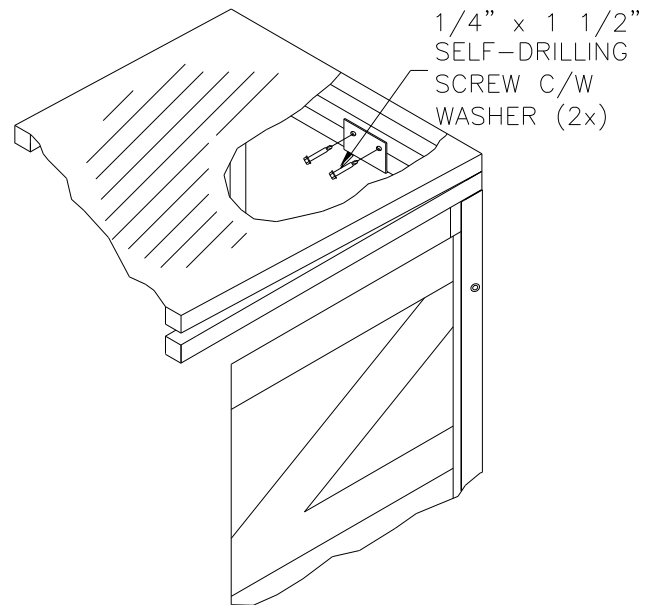


FIG. 8B

11. Attach Head Frame and Vertical Frame to Wall

- a. **Make sure entire shelter is plumb, level, and square** (Figure 9a).
 - **Shim** where necessary.

NOTE: THIS SHELTER MUST BE PLUMB, LEVEL, AND SQUARE TO FUNCTION PROPERLY.

- b. **Attach Head Frame to wall.**
 - **Drill** hole through center Mounting Bracket.
 - **Insert** sleeve anchor or other appropriate mounting hardware into hole.
 - **Tighten.**
 - **Repeat** for left and right Mounting Brackets.
- c. **Attach Vertical Frames to wall.**
 - **Drill** holes through remaining Mounting Brackets (Figure 9b).
 - **Insert** sleeve anchors or other appropriate mounting hardware into holes.
 - **Tighten.**
 - **Repeat** for other Vertical Frame.

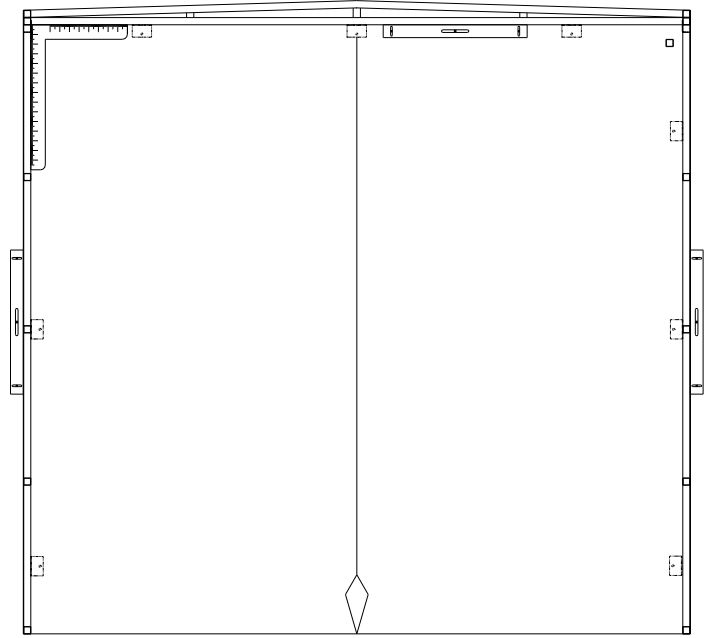


FIG. 9A

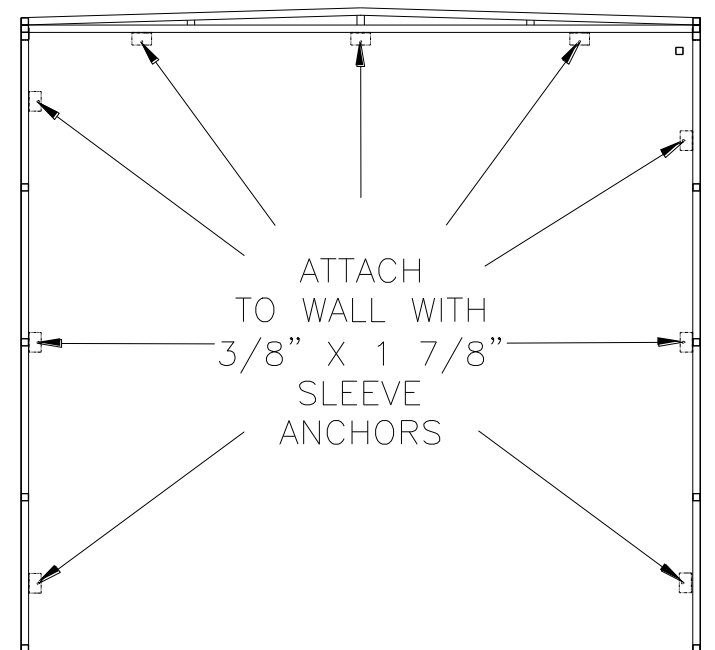


FIG. 9B

12. Attach Header Curtain to Head Frame

- a. **Position and secure Header Curtain.**
 - Logo is on front of Header Curtain.
 - **Match top center of Header Curtain with top center of Head Frame** (Figure 10a).
 - * Place raw edge flush to frame edge.
 - **Secure** with #10" self-drilling screw and 1/4" washer.
 - **Spread rest of Header Curtain** along Head Frame.
 - * Keep flush with edge, ensuring a tight fit.
 - * Secure Header Curtain between stays with four (4) evenly spaced #10" self-drilling screws and 1/4" washers.
- b. **Re-attach Aluminum Angle** to front edge of Head Frame (Figure 10b).
 - **Match** holes in Aluminum Angle with Header Curtain stays.
 - **Insert** 1/4" self-drilling screws and 3/8" washers into holes.
 - **Secure.**
- c. **Attach Header Curtain** to bottom Head Frame member (Figure 10c).
 - **Insert** 1/4" self-drilling screws and 3/8" washers through Header Curtain stays.

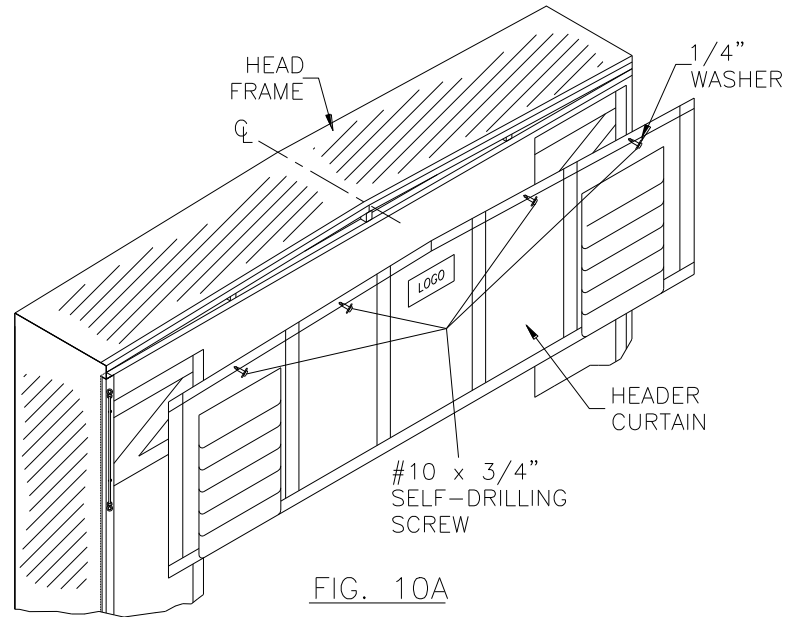


FIG. 10A

13. Attach Wind Strap

- a. **Unfasten bottom Wind Strap "S" hook** from Vertical Frame.
- b. **Thread** Wind Strap through Header Curtain (Figure 10c).
 - Pull "S" hook through loop on back of Header Curtain.
- c. **Re-attach Wind Strap** to Vertical Frame.
- d. **Repeat** for other side.

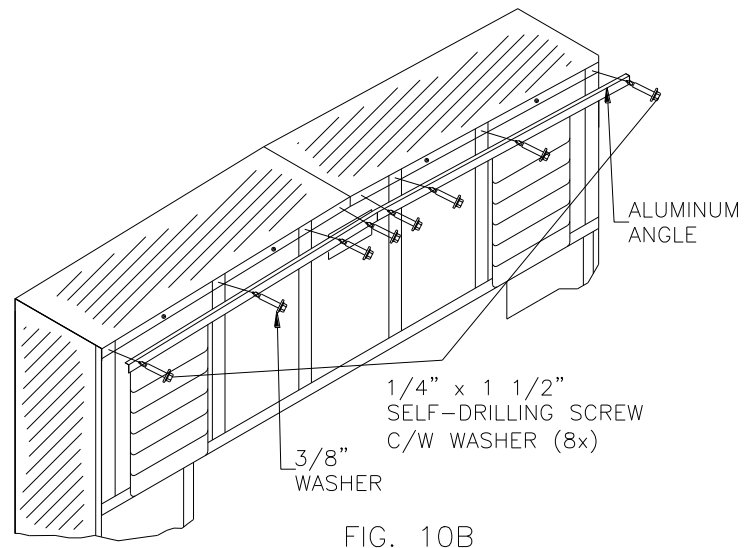


FIG. 10B

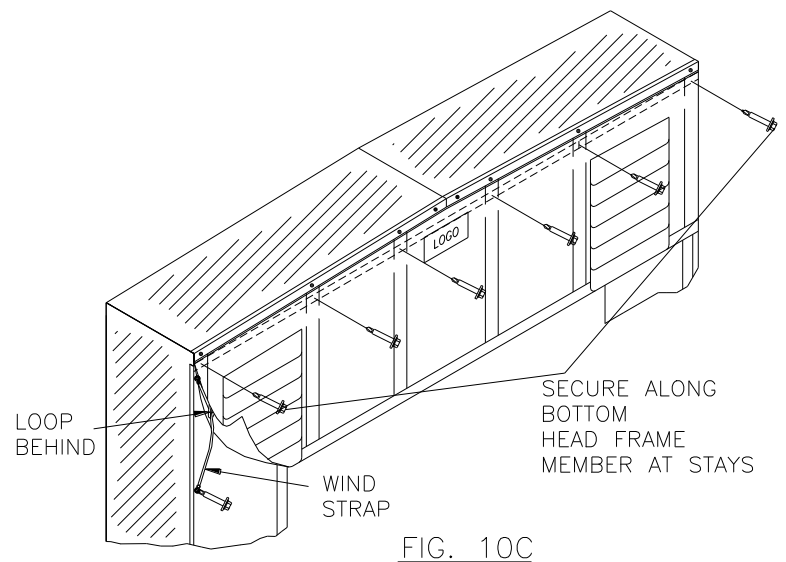


FIG. 10C

14. Attach Bottom Pads, if ordered

a. Mark Bottom Pad.

- Place both Bottom Pads so that the No Step patch is facing up.
- Measure 1-1/2" above bottom of each pad (Figure 11a).
- Mark a horizontal line across the wide end of each Bottom Pad.

b. Attach Mounting Brackets to Bottom Pad.

- **Position two 4-Hole Mounting Brackets** on Bottom Pad.
 - * Place long side of Mounting Brackets against Bottom Pad.
 - * Place corner flush to line.
 - * Place outside edge of each Mounting Bracket 4" in from each side of Bottom Pad.
- **Attach Mounting Brackets to Bottom Pad** with #14 flat quad screws.

- **Repeat** for other Bottom Pad.

c. Attach Bottom Pad to Vertical Frame.

- **Place Bottom Pad** along bottom of Vertical Frame (Figure 11b).
- **Insert 1/4" self-drilling screws** through Mounting Brackets and attach to Vertical Frame.
- **Repeat** for other side.

15. Finish Installation

a. Remove protective covering on siding, if present.

- Start at wall and work toward front.
- Do not scratch siding.

b. Caulk between Head Frame and Wall.

- A **silicon or butyl rubber caulk** is recommended.
 - * NOTE: If mounting on siding or on pre-cast concrete, fill in gaps with styrofoam.
- **Caulk** along:
 - * Outside of Head Frame along Wall.
 - * Head Frame Aluminum Angle.
- **Fill in any remaining gaps** around unit as needed.

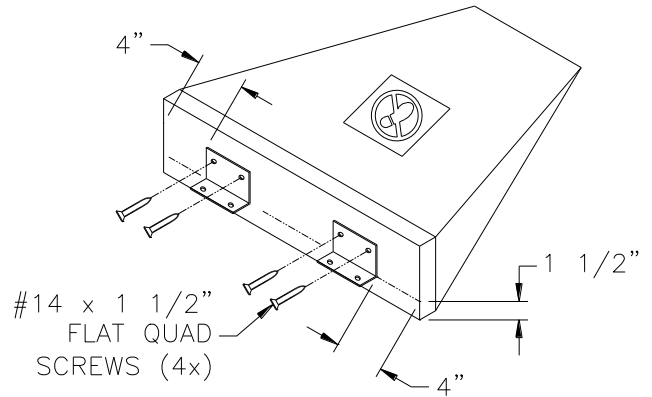


FIG. 11A

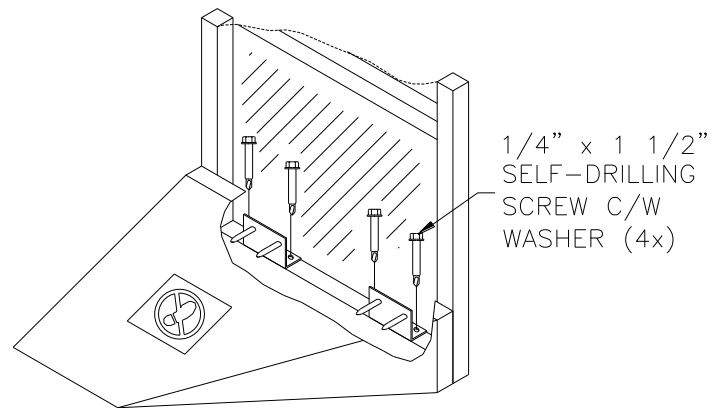


FIG. 11B