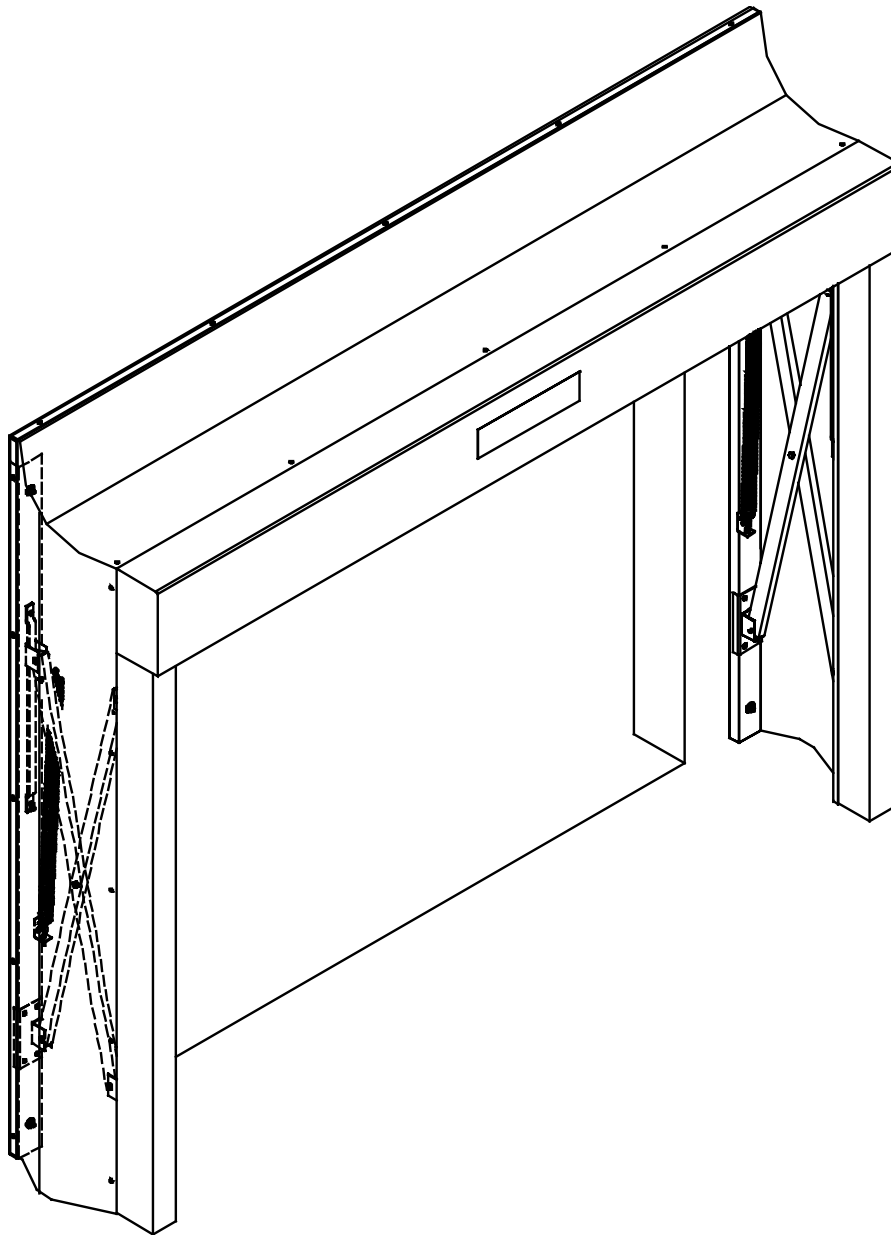


## Series 601 – Retractable Truck Shelter

### INSTALLATION INSTRUCTIONS

**READ ALL INSTRUCTIONS BEFORE INSTALLING SHELTER. SUPER SEAL MFG. LTD. WILL NOT BE HELD RESPONSIBLE FOR IMPROPER INSTALLATION OF ANCHORING DEVICES, OR FOR INSTALLATION INTO AGED OR UNSOUND CONCRETE, CONCRETE BLOCK, OR OTHER WALL OR FLOOR MATERIAL WHICH MAY RESULT IN PREMATURE PRODUCT WEAR, PRODUCT FAILURE, PROPERTY DAMAGE, OR PERSONAL INJURY.**



The Following Lists Cover Basic Installation, Not Including Options.

**Components List (Per Assembly)**

No.	Description	Qty.
1	Header Curtain	1
2	Left Side Scissor Assembly	1
3	Right Side Scissor Assembly	1
4	Main Projection Material	1
5	Front Header Board	1
6	Back Header Board	1
7	Top Trim	1
8	Side Trim	2

**4 Sided Units**

No.	Description	ADD
1	Bottom Pad	1
2	Bottom Projection Material	1
3	Back Bottom Board	1
4	Bottom Trim	1

**Hardware List (Per Assembly)**

No.	Description	Qty.
1	3/8" Sleeve Anchor Bolts	9
2	Roofing Nails	120
3	#14x1 1/2" QUAD Screws	39
4	Chain (12" Long)	2
5	Screw Hook	4

**4 Sided Units**

No.	Description	ADD
1	3/8" Sleeve Anchor Bolts	3
2	1/4" Flat Washer	12
3	1/4"x3/4" Hex Bolt	6
4	Hex Locknut	6
5	Roofing Nails	40
6	#14x1 1/2" QUAD Screws	13

**Recommended Tools  
(Typical Masonry Wall)**

No.	Description	Qty.
1	Caulking Gun	1
2	Caulking (Exterior)	
3	Pencil or Marker	1
4	Tape Measure	1
5	Level	1
6	Hammer Drill	1
7	1/8" Drill Bit	1
8	3/8" Masonry Drill Bit	1
9	Hammer	1
10	Square	1
11	Power Drill	1
12	3/8" Hex Head Driver Bit	1
13	#3 Robertson Screwdriver or Driver Bit	1

**4 Sided Units**

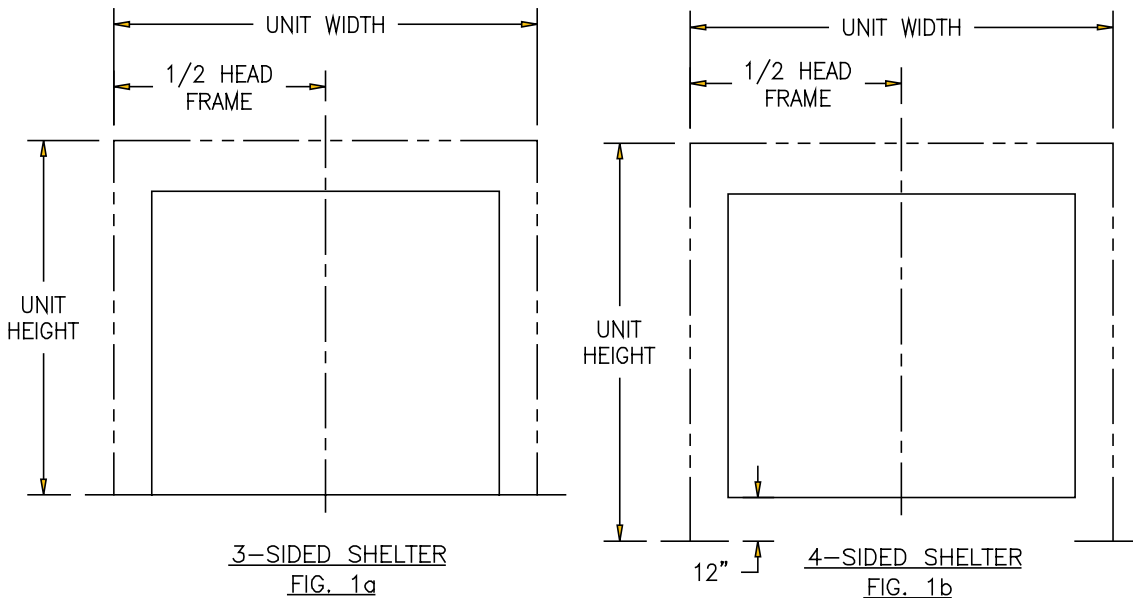
No.	Description	ADD
1	7/16" Wrench	1
2	7/16" Ratchet	1
3	1/2" Socket	1

1. Read Instructions through completely before installation.
2. Measure door to ensure the proper dimensions.

**NOTE: DETERMINE IF ASSEMBLY IS THREE OR FOUR SIDED.**

3. Review parts list to ensure that all parts have been supplied.
4. **Determine centerline of door opening and head frame:** Locate centerline of door opening and mark on dock floor. Take  $\frac{1}{2}$  the head frame width and mark this distance on both sides of the door centerline (fig. 1a or fig. 1b).

**NOTE: THIS WILL DETERMINE THE OUTER EDGES OF EACH VERTICAL FRAME.**



5. **Determine left and right vertical frames:** The vertical frame should be mounted in a manner which allows the spring assembly to be positioned at the top inside edge "Close to the door opening" (fig. 2).

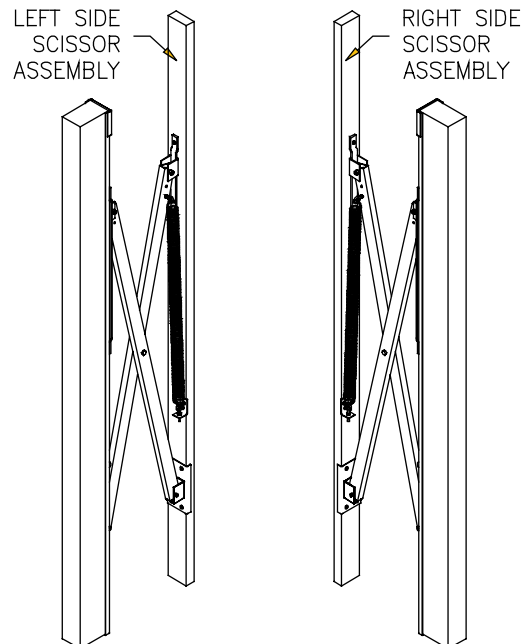
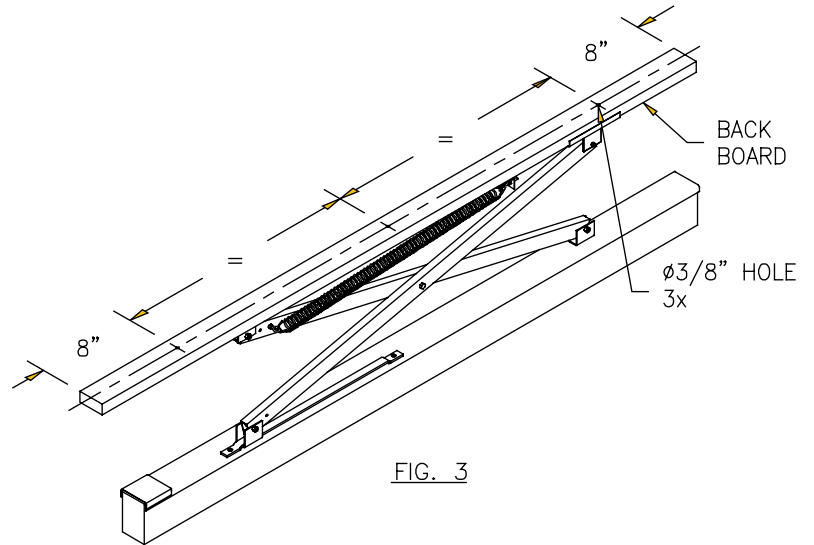


FIG. 2

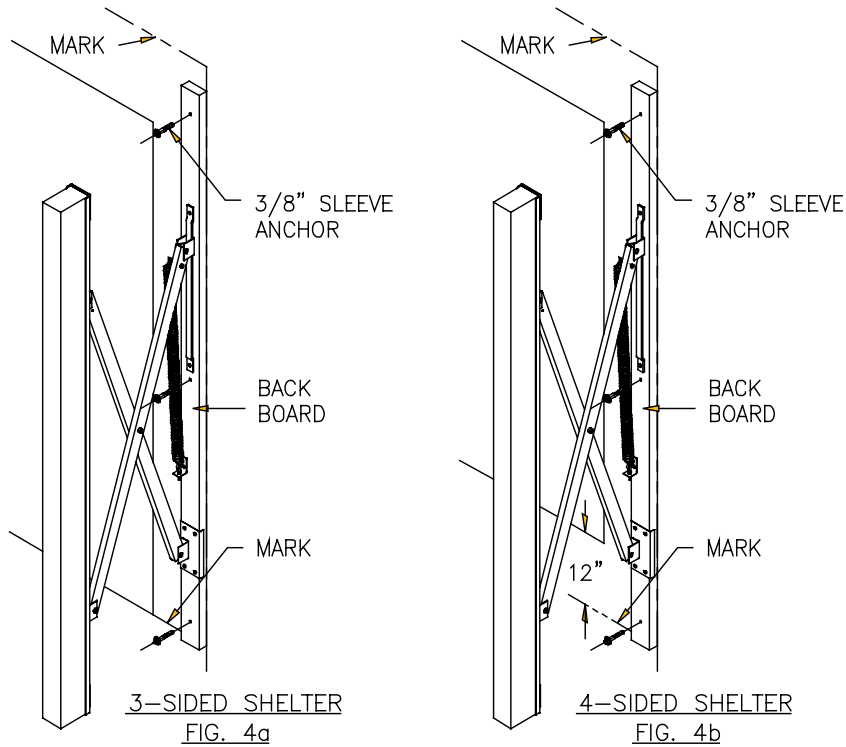
**6. Mark and drill holes for 3/8" sleeve anchor bolts:**

- Position scissor assembly so that the mounting surface is facing up.
- Mark at center and in from each end of each vertical frame.
- Mark and drill holes for 3/8" sleeve anchor bolts (fig. 3).



**7. Mount vertical frames to wall:**

- Position vertical frames on wall so that the outside edge is flush with the vertical lines from fig. 1a or fig. 1b, and that bottom edge is flush with the floor or bottom mark (fig. 4a or 4b).
- Be sure that frames are plumb from top to bottom.
- Using 3/8" concrete drill bit, drill designated holes.
- Insert 3/8" sleeve anchors and tighten with 1/2" socket wrench (fig. 4a or 4b).



**NOTE: THE SCISSOR EXTENSION ARMS MAY EXTEND FORWARD WHEN MOUNTING THE VERTICAL FRAMES. USE CAUTION WHEN MOUNTING THE FRAME.**

### 8. Mount rear header board:

**NOTE: THIS IS JUST A PLAIN 2X4 WITH NO STEEL TONGUE ATTACHED**

- Lay rear header board on floor and mark mounting holes with one (1) at center and one 12" in from each end (fig. 5).
- Drill holes for 3/8" sleeve anchor bolts, using a 3/8" drill.

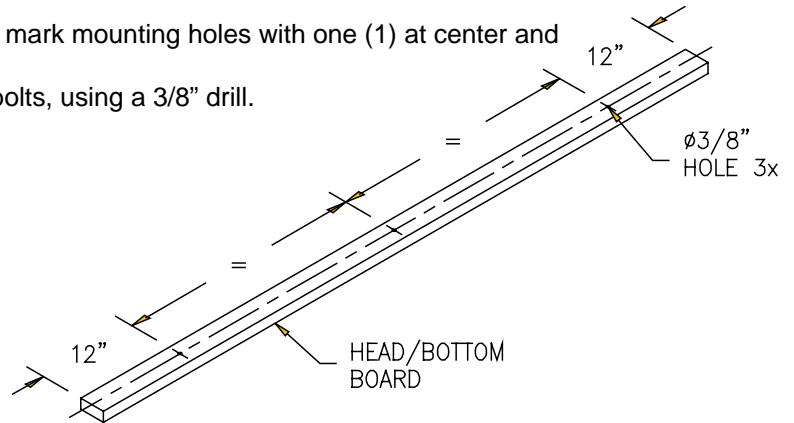
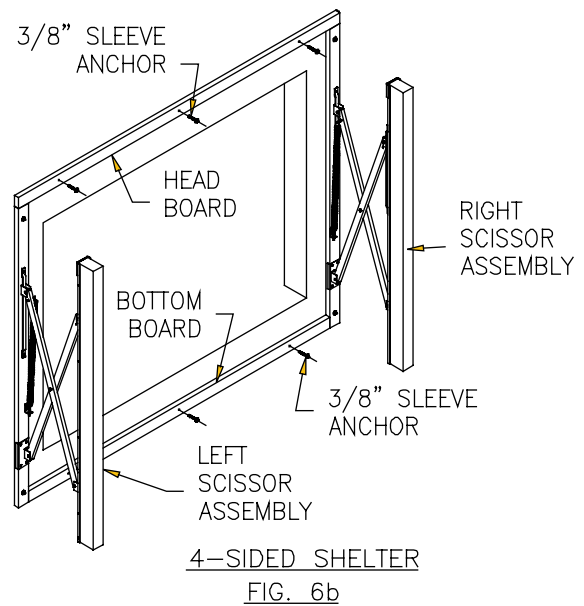
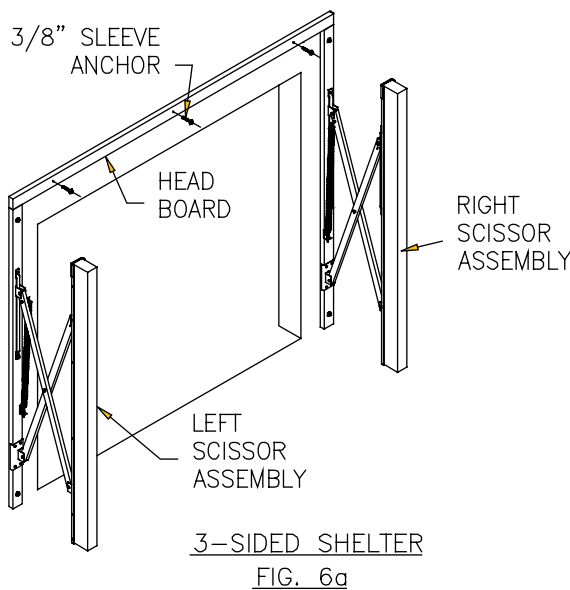


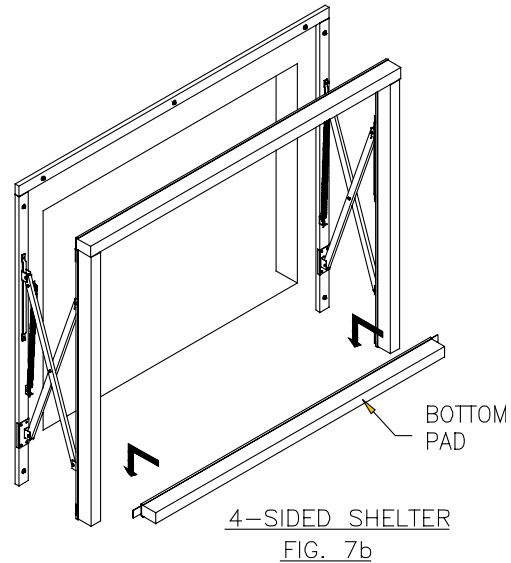
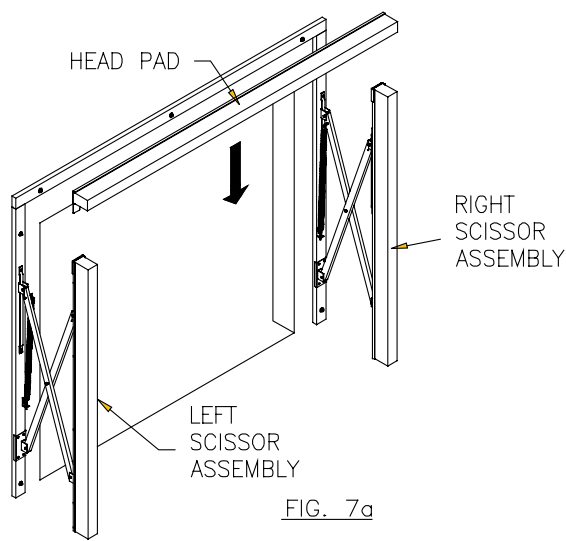
FIG. 5

- Position rear header board into place (fig. 6a or 6b).
- Using 3/8" concrete drill bit, drill designated holes through wood into wall.
- Insert 3/8" sleeve anchors and tighten with 1/2" socket wrench (fig. 6a or 6b).



## 9. Attach front header board:

- Connect front header board to left and right verticals by sliding tongues at each end of front header board into slots at top end of verticals (fig. 7a).

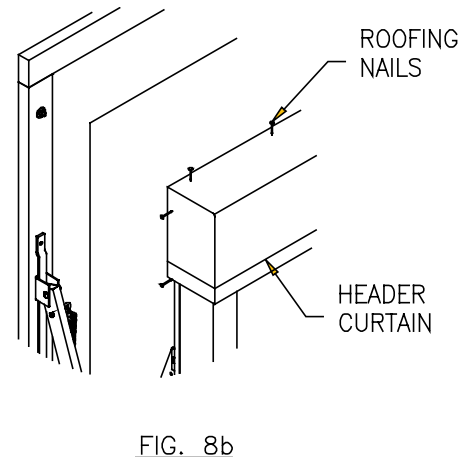
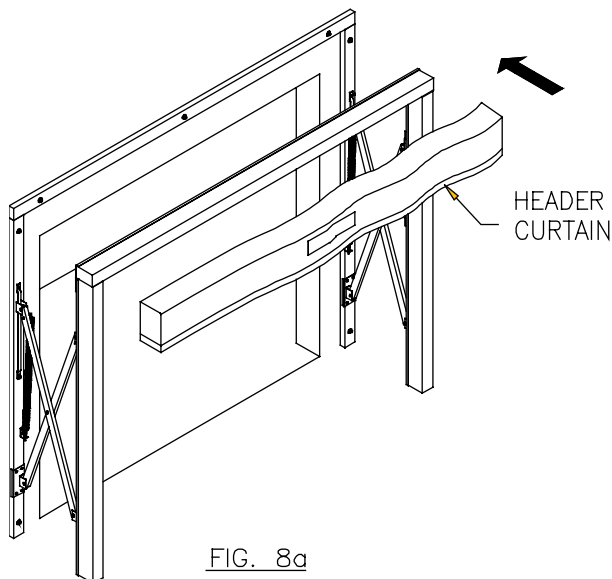


## 10. Attach bottom pad:

- Connect bottom pad to left and right verticals by sliding tongues on bottom pads into slots at bottom of each vertical (fig. 7b).

## 11. Attach header curtain:

- Drape header curtain over top header pad and top ends of verticals (fig. 8a)
- Fasten header curtain into place by nailing its outer edges with roofing nails. Nail at every 8" (fig. 8b).



**12. Attach screw hooks and pull-chains to scissor assemblies:**

- Measure approximately 4 ft. up from bottom edge of vertical backboard, and mark center of inside board edge (fig. 9a).
- Repeat the same process for the vertical foam pad. Mark next to the channel edge (See fig. 9a).
- Drill a hole at each mark using a 1/8" drill bit.
- Screw in screw hooks by hand.
- Attach pull-chain end to screw hook on scissor back board. Close screw hook with pliers (fig. 9b).
- Retract scissors back to a suitable position for attaching projection material. Attach the other end of pull-chain to screw hook on front vertical pad (fig. 9c).
- Repeat for other side.

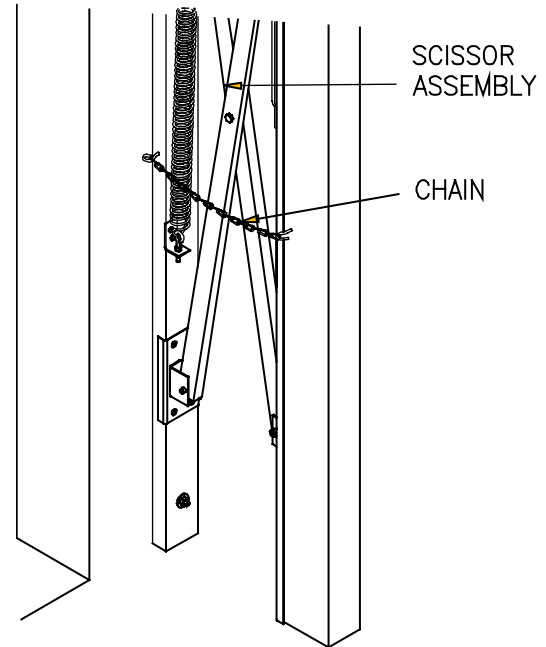
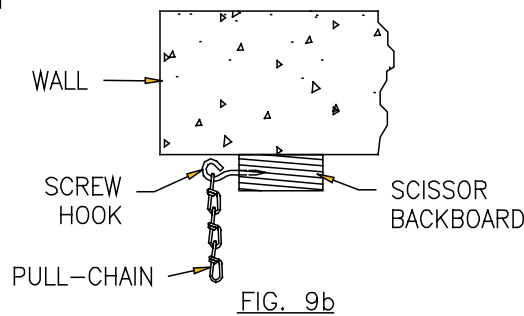
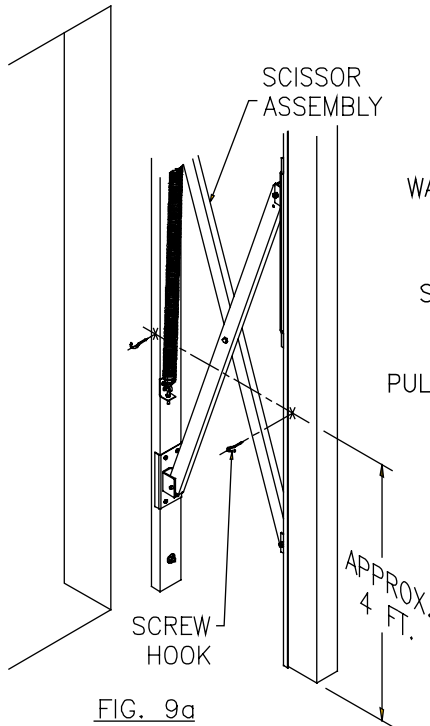


FIG. 9a

FIG. 9c

**13. Attach bottom projection material (For 4-sided units only):**

- Locate and mark the center of the unit.
- Match the center of the projection material to the center of the unit. Nail projection material in place (fig. 10a).
- Release the projection material from the bottom center outwards (fig. 10a).

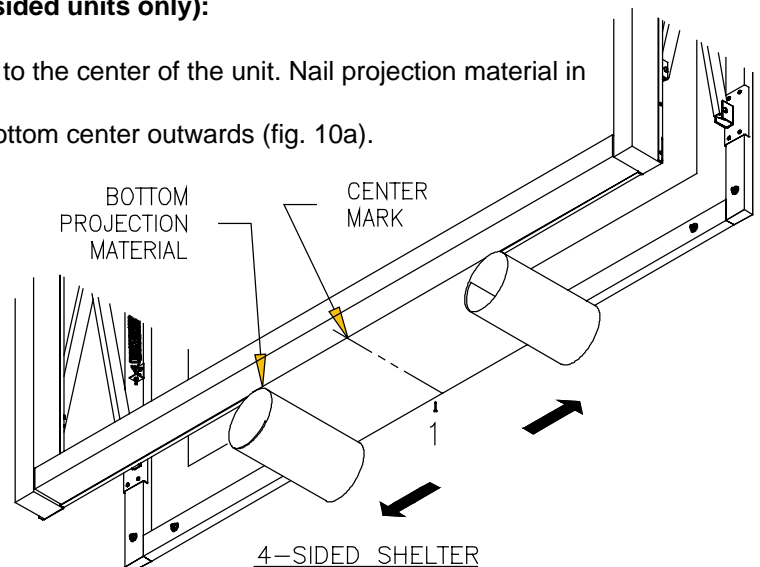
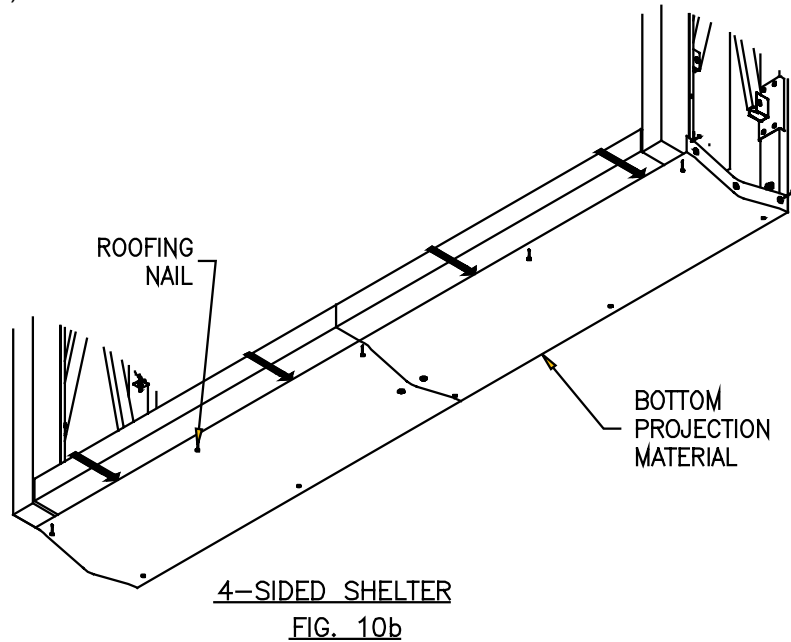


FIG. 10a

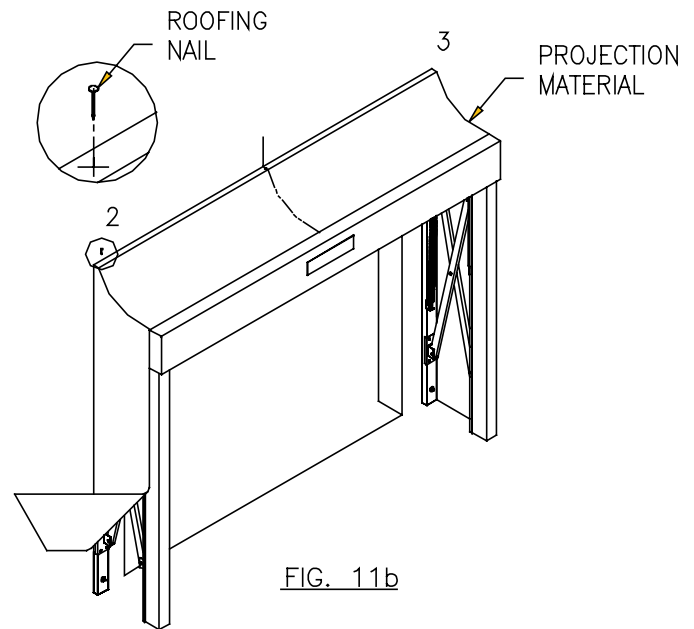
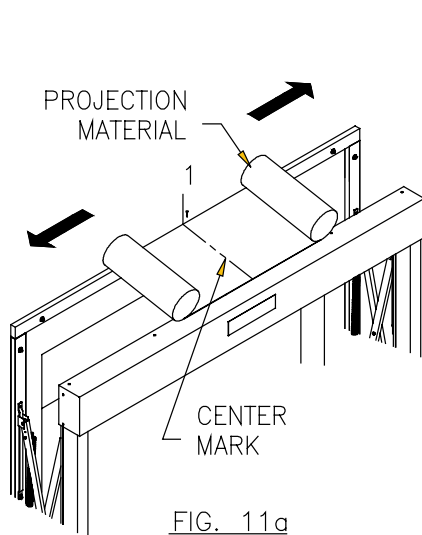
**14. Attach bottom projection material (For 4-sided units only) (Cont'd):**

- Using roofing nails, fasten projection material in place by nailing at every 12" along front and back edges (fig. 10b).



**15. Attach top and side projection material:**

- Locate and mark the top center of the unit.
- Match the center of the projection material to the top center of the unit. Nail projection material in place (fig. 11a).
- Release the projection material from the top center outwards and down the sides. Secure back edge with roofing nails (fig. 11b).

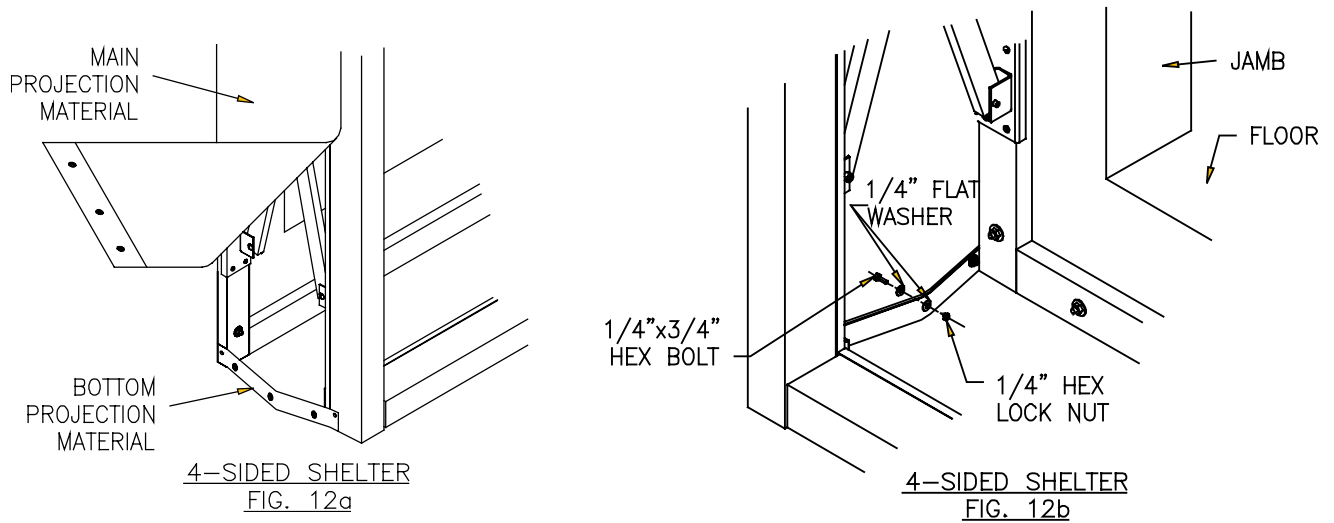


**NOTE: MAKE SURE FINISHED SIDE FACES OUTWARD – FINISHED SIDE IS THE SHINIEST SURFACE.**



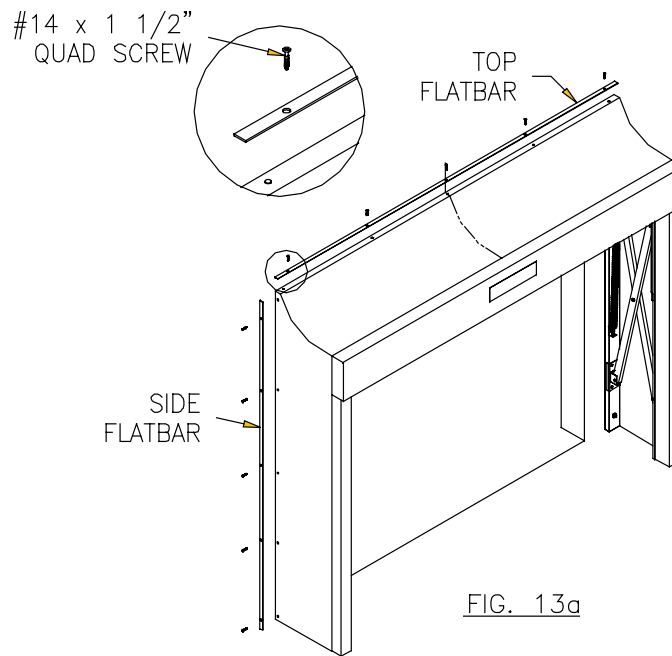
**16. Attach main projection material to bottom projection material (4 sided units only):**

- Allow main projection material to hang over grommet edge of bottom projection material so that holes are aligned (fig. 12a).
- Using 1/4"x3/4" hex bolt, 1/4" flat washer & 1/4" hex lock nut, fasten ends together (fig. 12b). Use 7/16" wrench and ratchet.



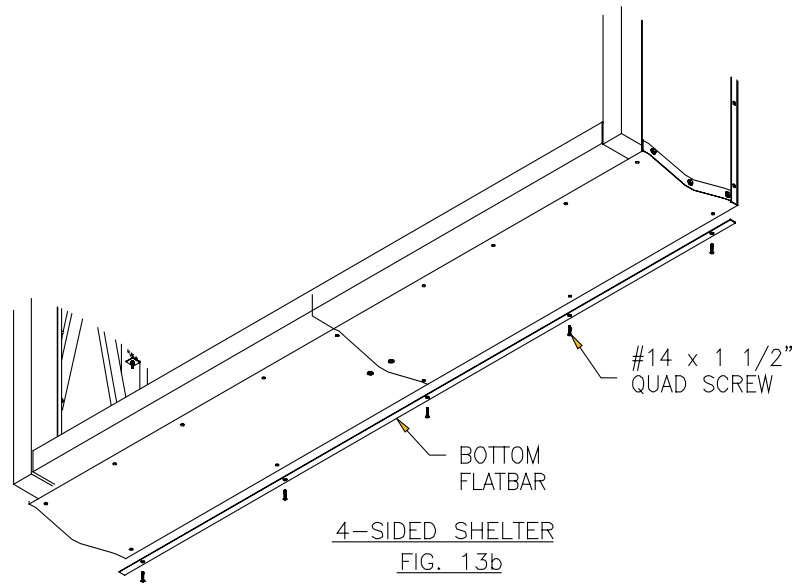
**17. Apply trim to back edge of unit:**

- Place galvanized flat bars along sides and top back edge of unit. Ensure that flat bar is snug against wall (fig. 13a)
- Using #14 quad screws, fasten flat bars to back boards (fig. 13a). Use #3 Robertson screwdriver or Driver Bit.



**18. Apply trim to bottom edge of unit (4 sided units only):**

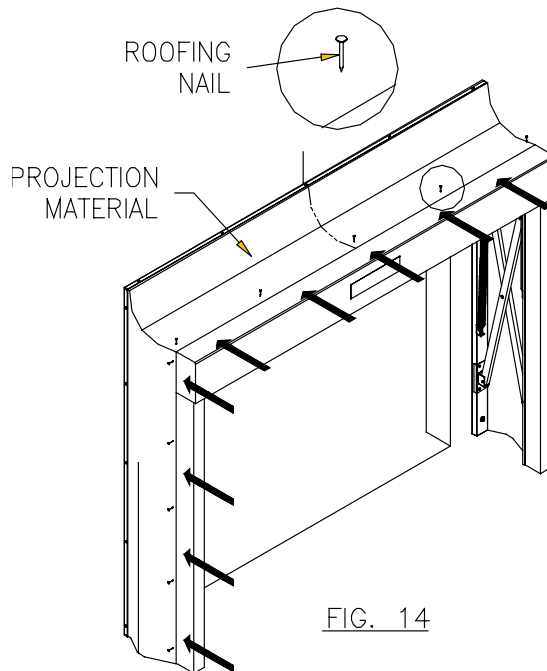
- Place galvanized flat bars along bottom back edge of unit. Ensure that flat bar is snug against wall (fig. 13b)
- Using #14 quad screws, fasten flat bar to back board (fig. 13b). Use #3 Robertson screwdriver or Driver Bit.



**19. Secure front edge of projection materials:**

- Using roofing nails, secure front edges of main projection material to unit. Nail at 8" apart (fig. 14)

**NOTE: DON'T FORGET THE BOTTOM PROJECTION MATERIAL IF YOU ARE INSTALLING A 4 SIDED UNIT.**



**20. Caulk between unit and wall: Outside only.**