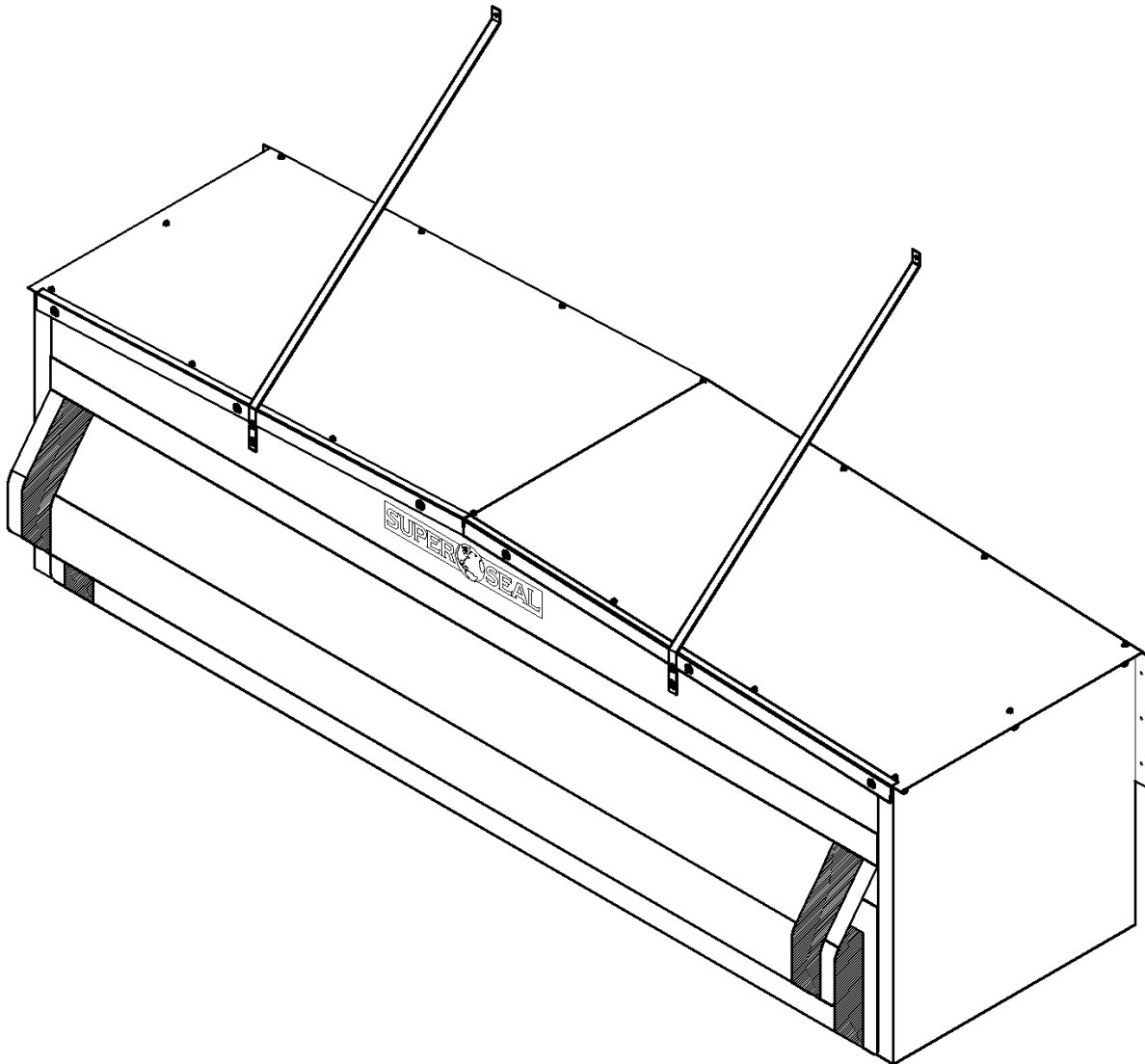


# RD2 RAIN DEFLECTOR – STEEL FRAME

---

**READ ALL INSTRUCTIONS BEFORE INSTALLING SEAL. SUPER SEAL MFG. LTD. WILL NOT BE HELD RESPONSIBLE FOR IMPROPER INSTALLATION OF ANCHORING DEVICES, OR FOR INSTALLATION INTO AGED OR UNSOUND CONCRETE, CONCRETE BLOCK, OR OTHER WALL OR FLOOR MATERIAL WHICH MAY RESULT IN PREMATURE PRODUCT WEAR, PRODUCT FAILURE, PROPERTY DAMAGE, OR PERSONAL INJURY.**

---



### Components List

No.	Description	Qty.
1	Header Canopy C/W Angle Trim	1
2	Rain Deflector Curtain	1
3	Side Curtain	2
4	Canopy Support Strap	2
<b>OR</b>		
5	Side Support Arms (if Applicable)	2

### Hardware Supplied List

No.	Description	Qty.
1	3/8" x 1-7/8" Sleeve Anchor	6
2	3/8" x 3" Sleeve Anchor	4
3	1/4" X 1-1/2" Hex Head Tek Screws	20
4	3/8" Washer	20
5	1/2" x 3/4" Hex Head Tek Screw – Zinc	10
6	1/4" B.S. Washer	10
7	#10 x 3/4" Pan Head Socket Teck Screws	6
8	Installation Instructions	1

#### If Canopy Support Straps Are Used

No.	Description	Qty.
8a	3/8" x 1-7/8" Sleeve Anchor	2
9a	1/4" x 1-1/2" Hex Head Tek Screw	4
9c	3/8" B.S. Washer	4

OR

#### If Side Support Arms Are Used

No.	Description	Qty.
8b	5/16" (18) x 1-3/4" Hex Bolt	4
9b	3/8" B.S. Washer	4
10b	5/16" (18) Hex Nut	4
11b	5/16" Lock Washer	4
12b	3/8" x 1-7/8" Sleeve Anchor	4

### Recommended Tools List (Typical Masonry Wall)

No.	Description	Qty.
1	Tape Measure	1
2	Level	1
3	Pencil or Marker	1
4	Square	1
5	Power Drill	1
6	Caulking-Outdoor Acrylic Tape	1
7	Hammer Drill	1
8	Hammer	1
9	Robertson or Philips Driver	1
10	3/8" Masonry Drill Bit	1
11	Caulking Gun	1

## 1. CHECK ORDER

### a. Measure door opening width.

- i. Seal door opening varies according to the dimensions of existing door.
- ii. Make sure dimensions match purchase order.
- iii. Make sure there is enough space to install. Check for existing:
  - a. dock seals
  - b. bollard and obstacles
  - c. lights and conduit
  - d. drains

### b. Check *Components List* and *Hardware Supplied List* to make sure all listed are present (Page 2).

### c. Check *Recommended Tools List* and make sure all are available (Page 2).

### d. Determine method of mounting shelter to wall.

- *Super Seal* supplies 3/8" sleeve anchors with the shelter. **The customer must supply any other mounting hardware.**

Recommended methods for:

- A. **Concrete block, pre-cast concrete or brick wall:**  
Use 3/8" sleeve anchors (supplied by *Super Seal*)
- B. **Metal siding:** Use through-bolt fastening (supplied by others).

**NOTE: SUPER SEAL IS NOT RESPONSIBLE FOR INSTALLATION AND ANY DAMAGE OR INJURY CAUSED BY INSTALLATION OR THE PRODUCT. SAFE AND PROPER WORK PROCEDURES SHOULD BE FOLLOWED.**

## 2. MARK CENTERLINE

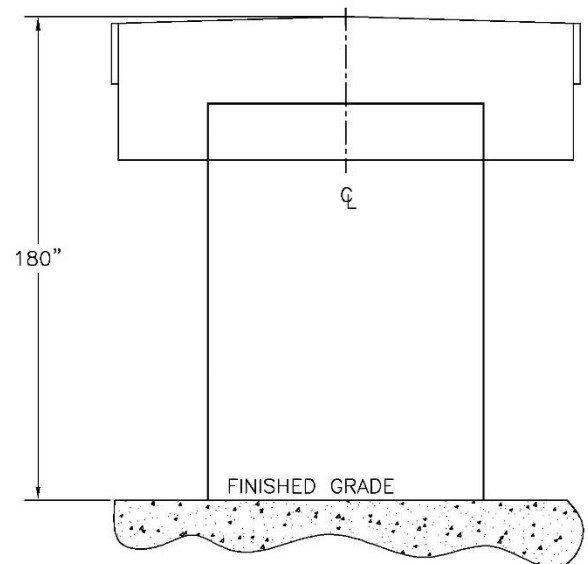
- i. Locate the centerline of the door opening and mark on dock floor.
- ii. Mark centerline on lintel above door (Fig. 1).
- iii. Measure head frame width and mark.
- iv. Extend line 180" above finished grade.

## 3. MOUNTING HEAD FRAME

### a. Prepare frame.

- i. Determine front from back on head frame.
- ii. The front has an angle trim. Remove angle from front edge.

**NOTE: DO NOT PUNCTURE OR SCRATCH SIDING. USE A MARKER TO MARK THE CENTER OF HEAD FRAME.**



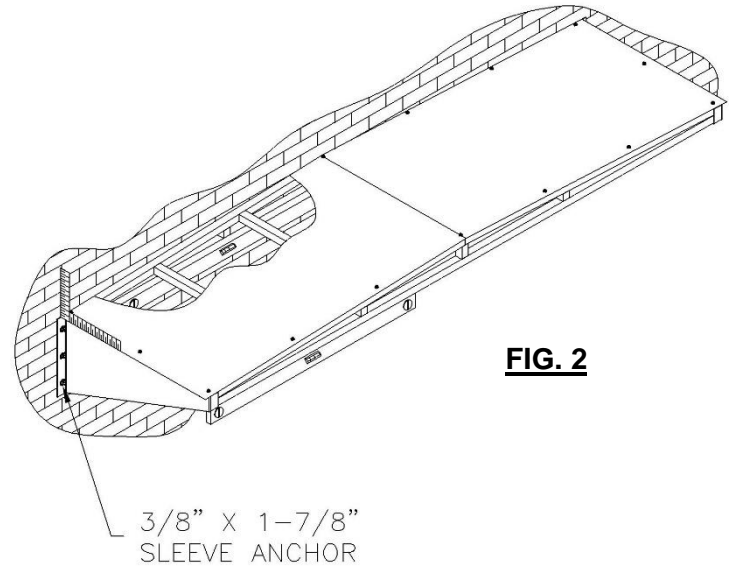
**FIG. 1**

**b. Lift head frame above opening.**

**NOTE: USE SAFE AND APPROPRIATE LIFTING METHOD.**

- i. Place head frame on marks on wall (Fig 2.).
- ii. Position head frame flush to wall.
- iii. Insert 1-7/8" sleeve anchors or other mounting hardware into holes on the side canopy support.
- iv. Tighten and secure.
- v. Repeat for left and right support brackets.

**NOTE: THIS SHELTER MUST BE PLUMB, LEVEL AND SQUARE IN ORDER TO FUNCTION PROPERLY.**

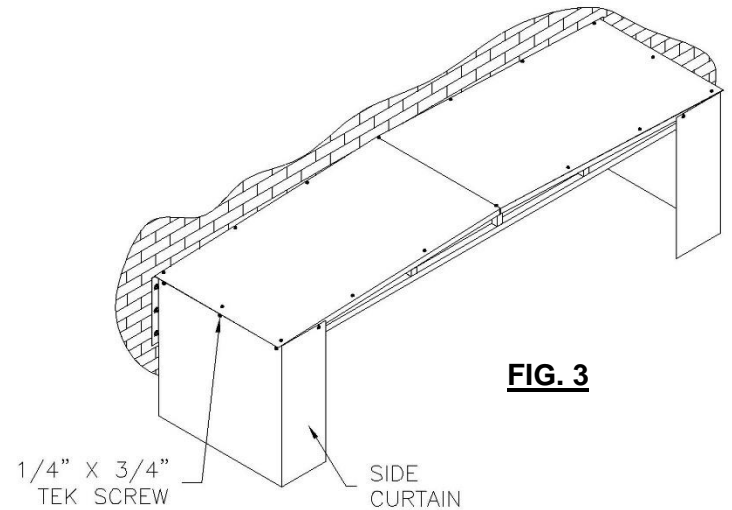


**FIG. 2**

**4. ATTACH HEAD CURTAIN TO HEAD FRAME**

**a. Attach side curtains (Fig 3).**

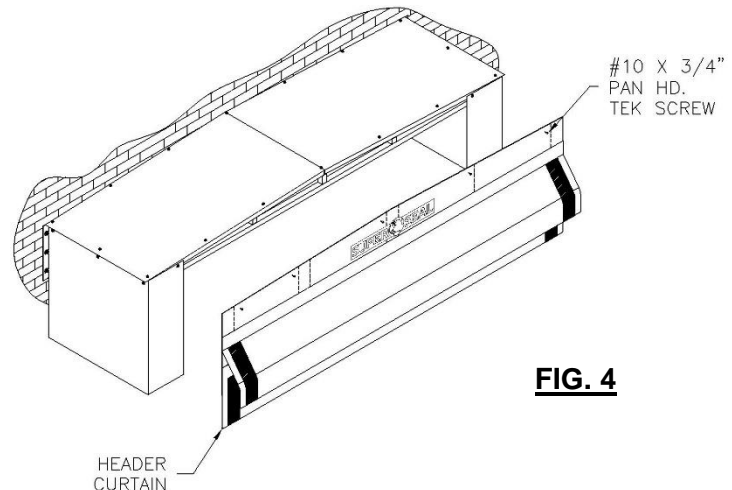
- i. Use TEK screws to attach side curtains flush to wall.



**FIG. 3**

**b. Position and secure header curtain.**

- i. Logo is on front of header curtain.
- ii. Match the top center of header curtain with top of center head frame (Fig. 4).
- iii. Place raw edge flush to frame edge.
- iv. Secure with TEK screws.
- v. Spread the rest of header curtain along head frame.
- vi. Keep flush with edge, ensuring a tight fit.



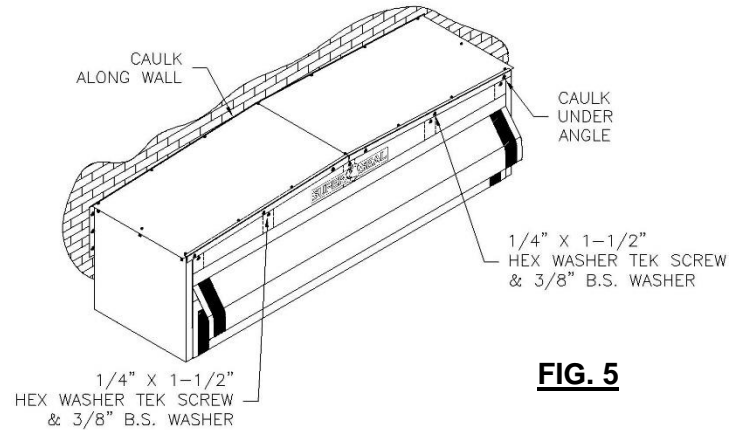
**FIG. 4**

**c. Re-attach angle to front edge of head frame.**

- i. Match holes in angle with header curtain stays.
- ii. Insert screws and 3/8" washer into holes (Fig. 5).
- iii. Secure.

**d. Attach header curtain to bottom frame member.**

- i. Insert screws and 3/8" washer through header curtain stays.



**FIG. 5**

**5. FINISHING INSTALLATION**

**a. Install canopy support straps.**

- i. Screw support straps to front of canopy.
- ii. Anchor straps to wall.

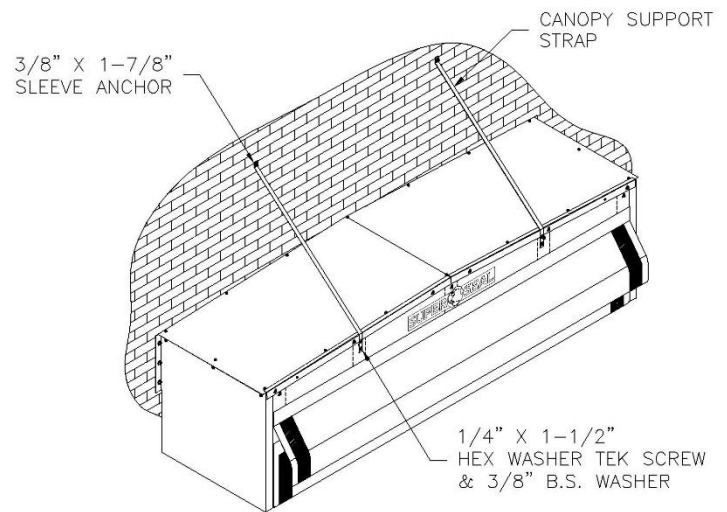
**b. Caulk between head frame and wall.**

An outdoor acrylic type caulking is recommended.

Caulk any gaps along:

- i. Cut side of head frame along wall.
- ii. Head frame angle.
- iii. Fill in any gaps remaining gaps around unit as needed.

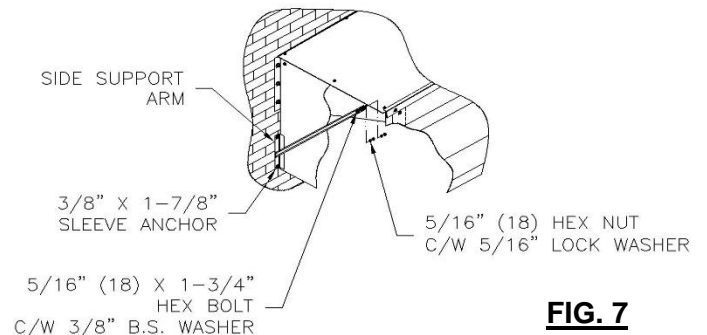
**NOTE: IF MOUNTING ON SIDING OR ON PR-CAST CONCRETE, FILL IN GAPS WITH POLYURETHANE FOAM.**



**FIG. 6**

**NOTE: IF SIDE SUPPORT ARMS ARE PROVIDED INSTEAD OF CANOPY STRAPS SEE FIG. 7**

**NOTE: LOCATION OF SIDE SUPPORT ARM TO BE DETERMINED ON SITE AS TO ENSURE FLUSH MOUNTING AGAINST WALL AND HEADER FRAME.**



**FIG. 7**

**NOTES:**