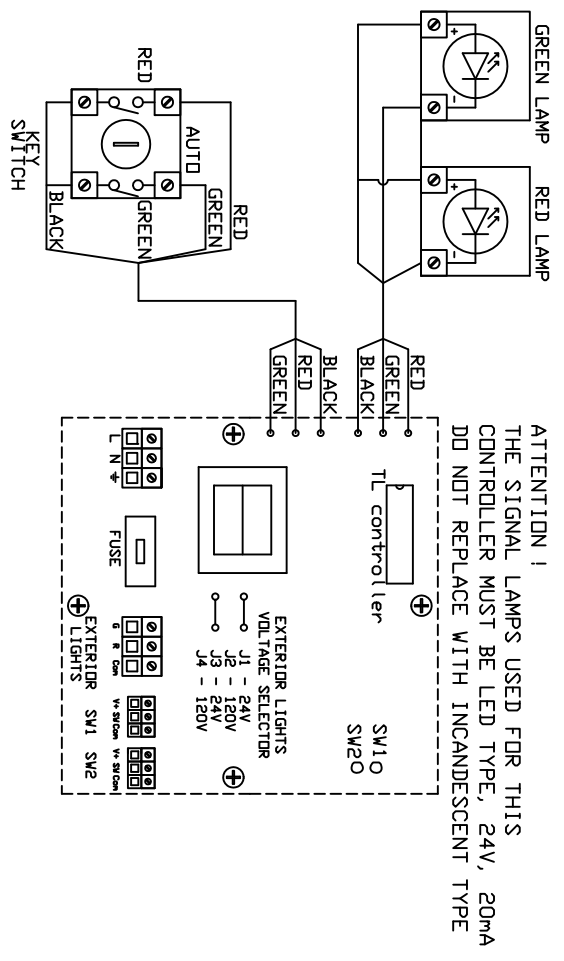


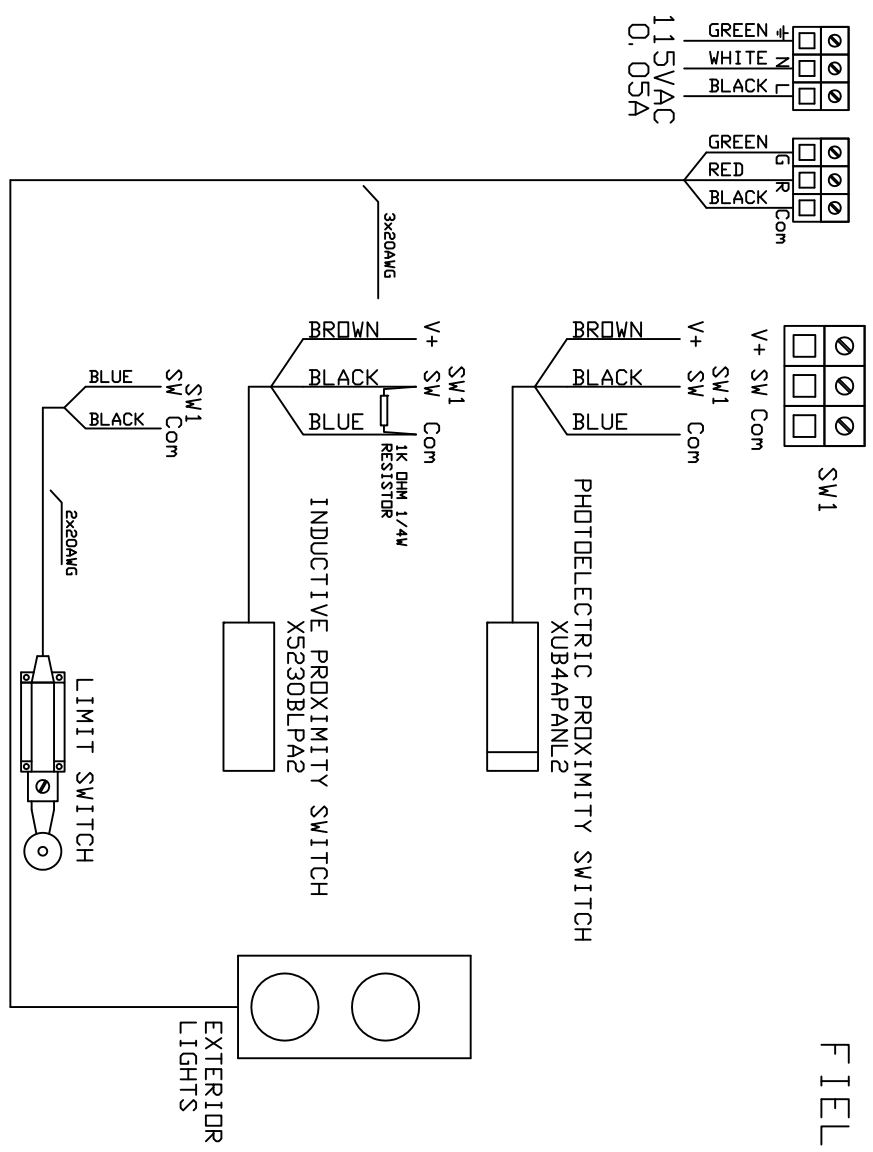
PANEL WIRING



SPECIFICATIONS

INPUT	
INPUT POWER:	115VAC
INPUT FUSE:	63mA TD
FUSE TYPE:	5x20 F
EXTERIOR LED LIGHTS	
VOLTAGE:	24V
CURRENT:	0.25AMP
INTERIOR LED LAMPS	
RED:	
VOLTAGE:	24V
CURRENT:	0.02AMP
GREEN:	
VOLTAGE:	24V
CURRENT:	0.02AMP

FIELD WIRING



SUPER GUIDE LIGHT CONTROLLER
SGSB-AUTD

DATE:	APRIL-18-17	SCALE:	NA
DRAWN:	SH	DWG NO.:	SGL115V
APPROVED:	G. ION, ST	PART NO.:	-