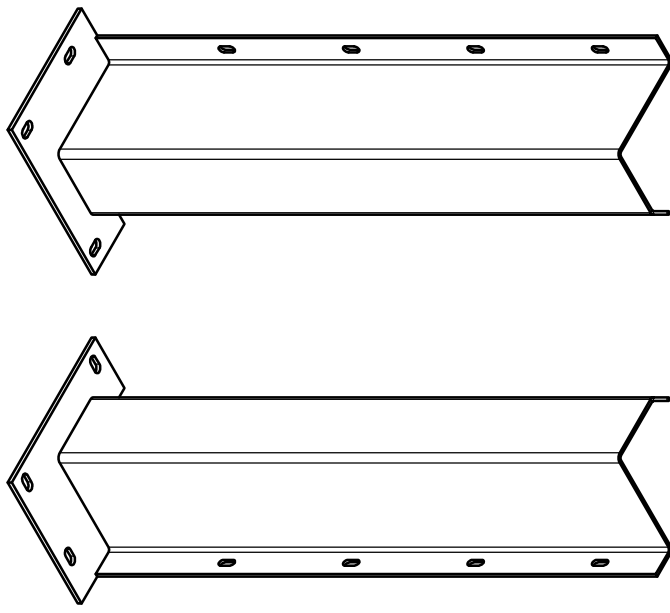
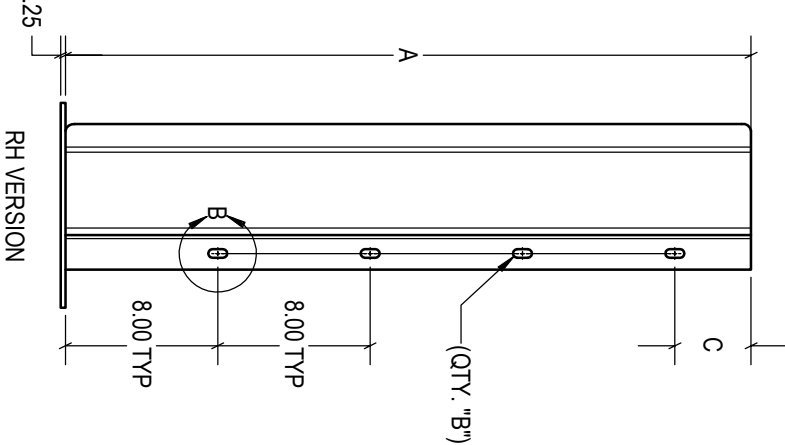


DETAIL A
SCALE 1 : 4



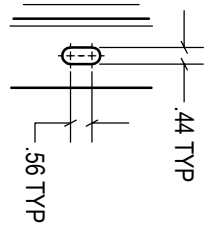
LH VERSION

RH VERSION



RH VERSION

A	B	C
24"	(2)	8"
36"	(4)	4"
48"	(5)	8"



DETAIL B
SCALE 1 : 4

PART NUMBER	DESCRIPTION	A
05-0300A	TRACK PROTECTOR 24" (RH) W/45DEG BEND	24"
05-0300B	TRACK PROTECTOR 24" (LH) W/45DEG BEND	24"
05-0305A	TRACK PROTECTOR 36" (RH) W/45DEG BEND	36"
05-0305B	TRACK PROTECTOR 36" (LH) W/45DEG BEND	36"
05-0310A	TRACK PROTECTOR 48" (RH) W/45DEG BEND	48"
05-0310B	TRACK PROTECTOR 48" (LH) W/45DEG BEND	48"

NOTE: ANCHORS NOT INCLUDED

MATERIAL: 7GA. STEEL, WELDED 1/4" BASE PLATE,
POWDER COATED YELLOW



TRACK PROTECTOR W/45° BEND

DATE	REV. NO.	BY	DESCRIPTION

DATE: APR-22-20	SCALE: 1:8
DRAWN: AS	DWG NO: 05-0300
APPROVED: ST	PART NO: -