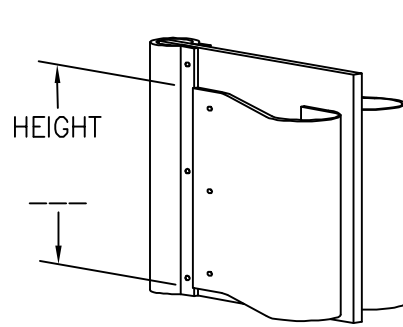
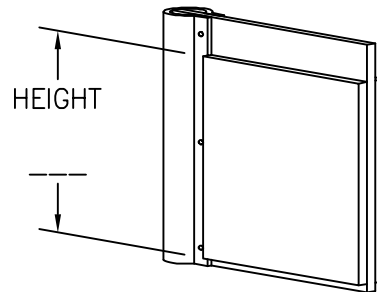


- 1 - TOP HINGE ASSEMBLY (ZINC PLATED)
- 2 - BOTTOM HINGE ASSEMBLY (ZINC PLATED)
- 3 - ANODIZED ALUMINUM SPINE PROFILE
- 4 - 9" WIDE x 14" HIGH CLEAR SAFETY ACRYLIC WINDOW
- 5 - 1/4" THICK ABS DOOR BODY

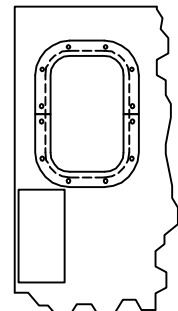
*** RECOMMENDED FRAMING REQUIREMENTS:
 1/8" THICK x 4" WIDE FACE STEEL FRAME MOUNTED
 TO A SOLID FOUNDATION.



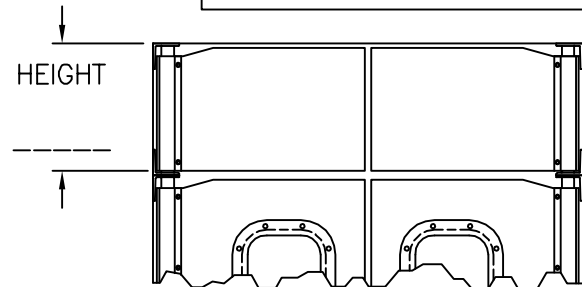
SPRING BUMPER



KICKPLATE



PUSH PLATE



DOUBLE DUTCH

DOOR OPENING:

_____W x _____H

DOUBLE SINGLE

QUANTITY: _____

COLOR: _____

IS DOOR JAMB OVER 8"W Y N

HALLWAY INSTALLATION? Y N

OPTIONS:

(CHECK BOX IF APPLICABLE)

CUSTOM WINDOW DESIGN

RECTANGULAR _____W x _____H

ROUND - DIAMETER: _____

5/16" THICK HDP SPRING BUMPERS
(UP TO 42" HIGH)

1/4" ABS KICKPLATES (UP TO 48" HIGH)

1/4" ABS CART GUARD (4" HIGH)

S.S. HAND PUSH PLATE (6"W x 12"H)

9 1/4" JAMB GUARD

CHAIN LOCKING COLLAR

SLIDE LOCK

DOUBLE DUTCH

S.S. QUOTE REF. # _____

CUSTOMER _____

APPROVED BY: _____

P/O No.: _____

DATE: _____



SERIES 1500 - MODEL 1504
 ABS IMPACT DOOR

DATE: OCT-02-18	SCALE: N.T.S.
DRAWN: OC, AS	DWG NO: L1504
APPROVED: ST	PART NO: N/A