

MODEL

R50 R100 R150

FABRIC COLOR: _____

DOOR OPENING:

_____ W x _____ H

DOUBLE SINGLE

QUANTITY: _____

OPTIONS
(CHECK BOX IF APPLICABLE)

- CUSTOM WINDOW SIZE
_____ W X _____ H

- STAINLESS STEEL GRAVITY ARM

- HOLD OPEN DEVICE

- WIDE ANGLE 270° HINGE

- TOP PLATE

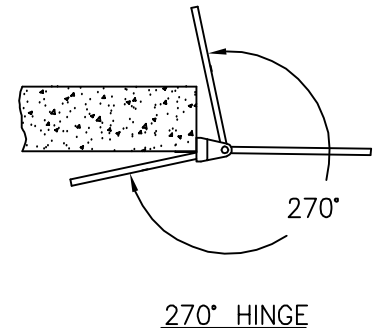
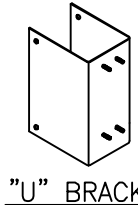
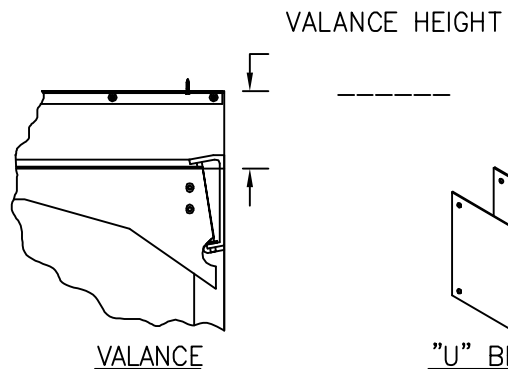
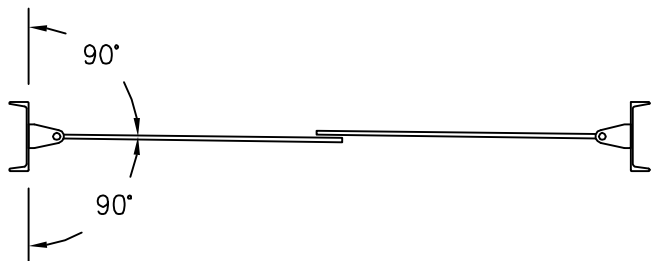
- MIDDLE PLATE

- TOP & MIDDLE PLATE

- FULL KICKPLATE

- EXTENSION "U" BRACKETS

- VALANCE _____ H



LEGEND:

1. GRAVITY ARM ASSEMBLY

2. SINGLE-PLY 40 oz. REINFORCED VINYL (R50), DOUBLE-PLY (R100) OR TRIPLE-PLY (R150) - R100 & R150 RECOMMENDED FOR DOOR OPENINGS OVER 8' WIDE x 8' HIGH

3. 13 1/2" WIDE x 13" HIGH CLEAR PVC WINDOW

4. 1/8" THICK x 48" HIGH BLACK HDP

*** RECOMMENDED FRAMING REQUIREMENTS:
1/8" THICK X 4" WIDE FACE STEEL FRAME MOUNTED TO A SOLID FOUNDATION

S.S. QUOTE REF. # _____

CUSTOMER _____

APPROVED BY: _____

P/O No.: _____

DATE: _____

SUPER SEAL

SERIES 2000-MODELS R50, R100 & R150
RETAIL FLEXIBLE VINYL IMPACT DOORS

DATE: NOV-08-18	SCALE: 1:24
DRAWN: OC, AS	DWG NO: L2000-C / 1
APPROVED: RT, ST	PART NO: N/A