

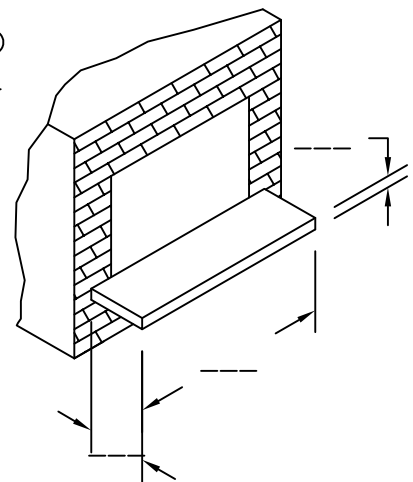
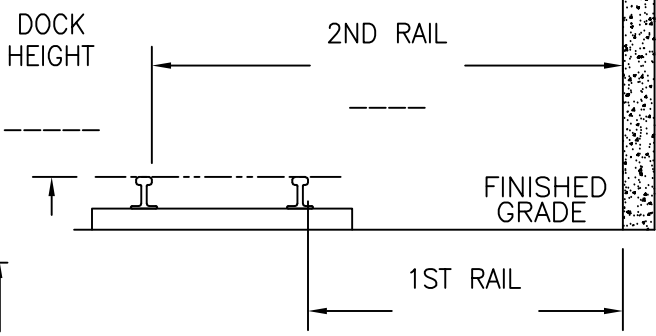
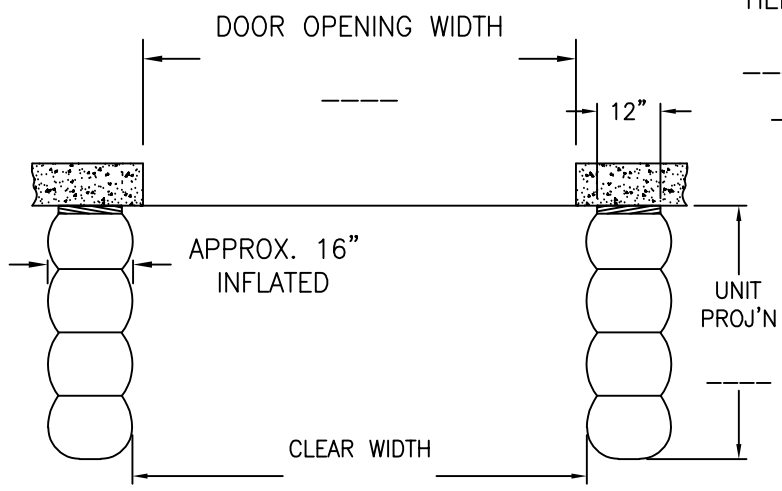
DOOR OPENING:
 _____ W _____ H
 QUANTITY: _____
 COVER FABRIC: _____
 COLOR: _____

OPTIONS (CHECK BOX IF APPLICABLE)

BLOWER POSITION:
 TOP LEFT
 TOP RIGHT
 SIDE LEFT
 SIDE RIGHT

MOTOR/BLOWER, 1/2 HP, 2850 RPM
 (REQ'D FOR APPLICATIONS OUTSIDE
 NORTH AMERICA)

EXTRA WIDTH OF UNIT
 EXTRA HEIGHT OF UNIT
 HIGHER HEADER AIR BAG
 AUTOMATIC SWITCH KIT



S.S. QUOTE REF. # _____
 CUSTOMER _____
 APPROVED BY: _____
 P/O No.: _____
 DATE: _____



R SERIES INFLATABLE RAIL SHELTER
 3-SIDED

DATE: NOV-16-21	SCALE: N.T.S.
DRAWN: GK,AX,OC,AS	DWG NO: LR-B / 1
APPROVED: RT, ST	PART NO: -