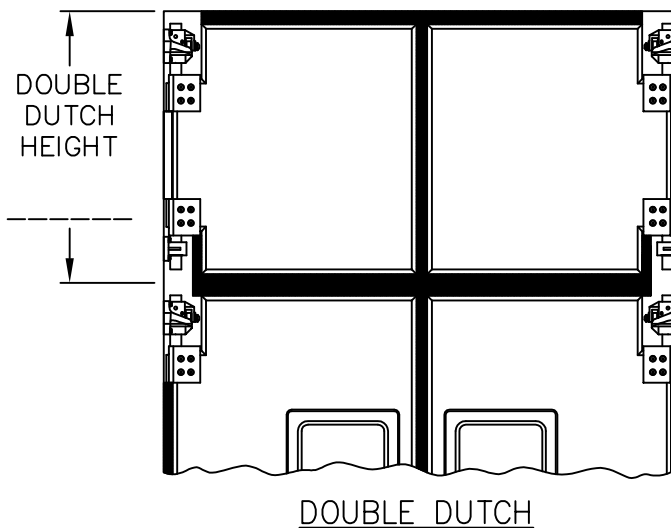
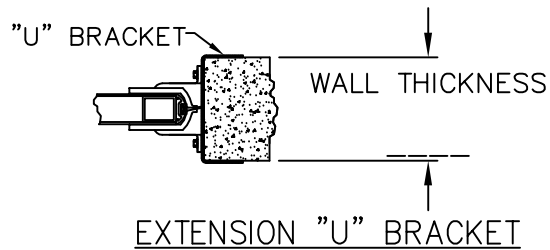
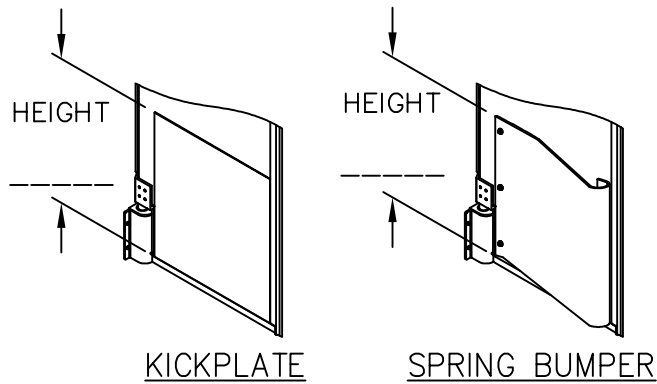


1. TOP HINGE ASSEMBLY
2. BOTTOM HINGE ASSEMBLY
3. 1/8" THICK "TUFF PLAS" PANEL (ABS)
4. 1/8" THICK SEALED DOUBLE THERMOPANE SAFETY WINDOW
(WINDOW SIZE VARIES DEPENDING ON DOOR SIZE - CONSULT FACTORY)
5. PVC DOOR FRAME C/W GASKETING
6. 1 1/2" THICK POLYURETHANE FOAM INSULATION

*** RECOMMENDED FRAMING REQUIREMENTS:
 1/8" THICK X 4" WIDE FACE STEEL FRAME MOUNTED TO A SOLID FOUNDATION



DOOR OPENING:

_____W x _____H

DOUBLE SINGLE

QUANTITY: _____

COLOR: _____

WINDOW SIZE:

12" x 24"

VERTICAL HORIZONTAL

16" x 34"

VERTICAL HORIZONTAL

OPTIONS:

(CHECK BOX IF APPLICABLE)

5/16" THICK HDP SPRING BUMPERS
(UP TO 42" HIGH)

1/8" THICK "TUFF PLAS" KICKPLATES
(UP TO 48" HIGH)

COLOR: _____

DOUBLE DUTCH

DOOR STOP

12" TOP CANE BOLT ASSEMBLY

46" BOTTOM CANE BOLT ASSEMBLY

PROTECTIVE BOLLARDS

24" 36"

90° FLOOR-MOUNT JAMB GUARDS

90° JAMB-MOUNT JAMB GUARDS

90°-135° JAMB-MOUNT JAMB GUARDS

90°-135° WIDE ANGLE HINGE

CHAIN LOCKING COLLAR

EXTENSION "U" BRACKETS

HOLD OPEN DEVICE

SPRING ASSISTED HINGE

S.S. QUOTE REF. # _____

CUSTOMER _____

APPROVED BY: _____

P/O No.: _____

DATE: _____



SERIES 4300-MODEL 4301
 RIGID INSULATED IMPACT DOOR

DATE: JAN-31-20	SCALE: N.T.S.
DRAWN: GK, OC, AS	DWG NO: L4301-A
APPROVED: RT, ST	PART NO: N/A