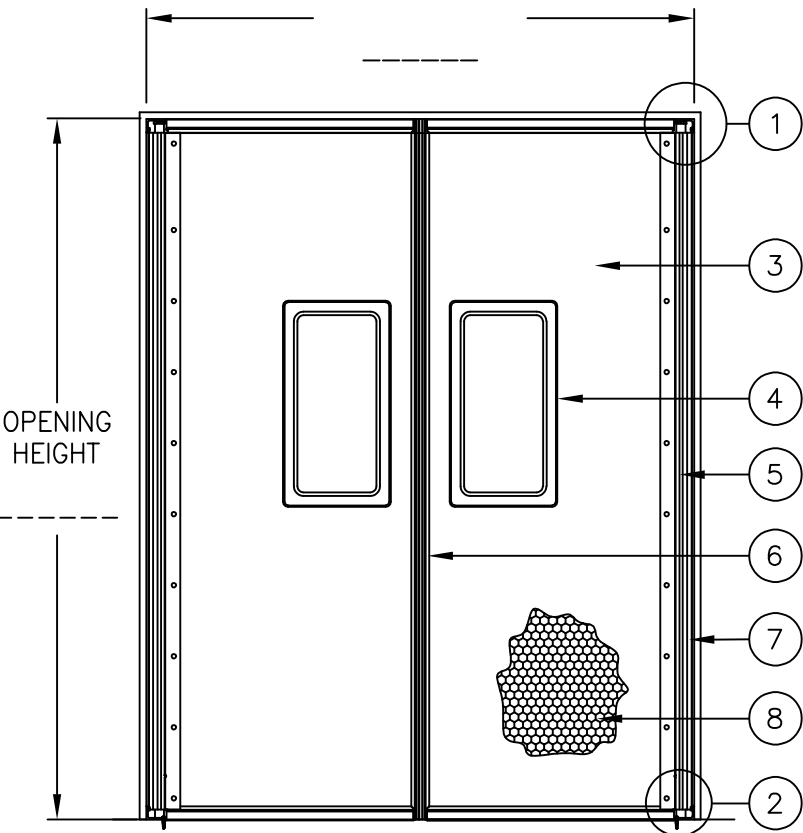
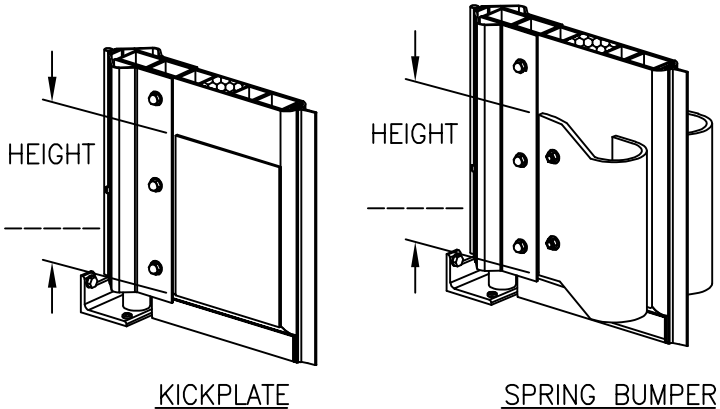


OPENING WIDTH

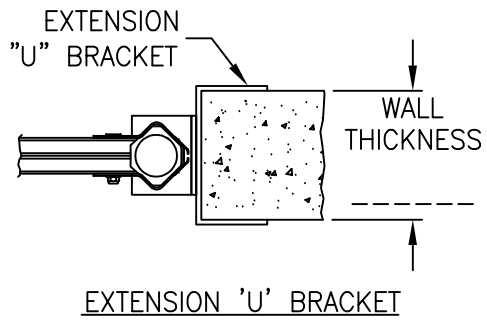


OPENING HEIGHT

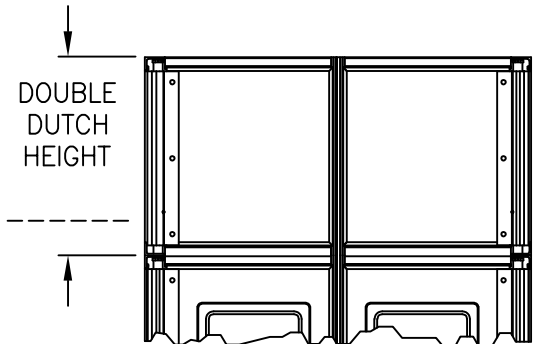


KICKPLATE

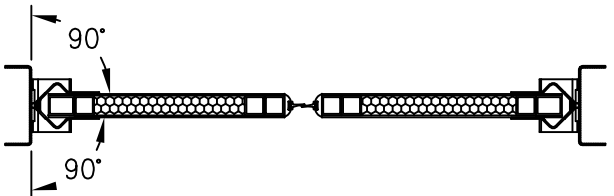
SPRING BUMPER



EXTENSION 'U' BRACKET



DOUBLE DUTCH



- 1 - TOP HINGE ASSEMBLY
- 2 - BOTTOM HINGE ASSEMBLY
- 3 - 1/8" "TUFF PLAS" COLOR FACE PANEL
- 4 - 1/8" SEALED DOUBLE THERMOPANE WINDOW
- 5 - CHROMED STEEL DOOR FRAME PROFILE
- 6 - PVC EDGE TRIM C/W GASKET
- 7 - BUBBLE GASKET
- 8 - INJECTED INSULATING FOAM

*** RECOMMENDED FRAMING REQUIREMENTS:
 1/4" THICK x 4" (4701) OR 6" (4702) WIDE FACE STEEL FRAME
 MOUNTED TO A SOLID FOUNDATION.

SELECT MODEL:

- 4701
- 4702

DOOR OPENING:

_____ W _____ H

- DOUBLE
- SINGLE

QUANTITY: _____

COLOR: _____

WINDOW SIZE:

- 12" X 24"
- VERTICAL
- HORIZONTAL
- 16" X 34"
- VERTICAL
- HORIZONTAL

OPTIONS (CHECK BOX IF APPLICABLE)

- 5/16" THICK HDP SPRING BUMPERS
- 9 1/4" JAMB GUARDS (NO WIDE ANGLE JAMB GUARDS)
- KICK PLATES
 - 1/4" ABS -COLOR: _____
 - 1/2" HDP -COLOR: _____
- WIDE ANGLE HINGE
- CHAIN LOCKING COLLAR
- CANE BOLT
 - 12" TOP
 - 46" BOTTOM
- PROTECTIVE BOLLARDS
 - 24"
 - 36"
- EXTENSION "U" BRACKET
- HOLD OPEN DEVICE
- STAINLESS STEEL
- DOUBLE DUTCH

S.S. QUOTE REF. # _____

CUSTOMER _____

APPROVED BY: _____

P/O No.: _____

DATE: _____



SERIES 4700-MODELS 4701/4702
 SUPER "TUFF" RIGID INSULATED IMPACT DOOR

DATE: JAN-30-19	SCALE: 1:32
DRAWN: OC, AS	DWG NO: L4700-B
APPROVED: ST	PART NO: 15-0052