

DOOR OPENING: _____ W _____ H

QUANTITY: _____

COVER FABRIC: _____

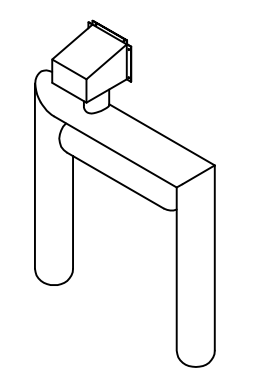
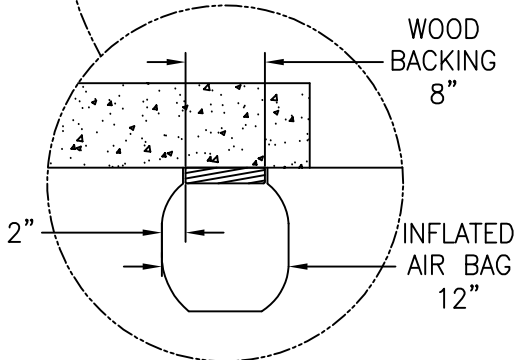
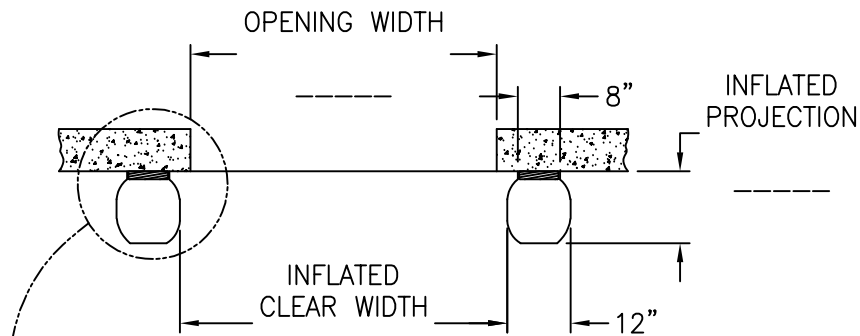
COLOR: _____

BLOWER POSITION:

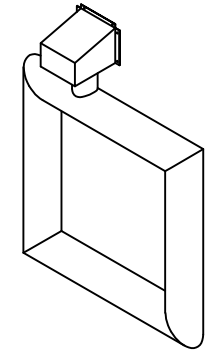
- TOP LEFT
- TOP RIGHT
- SIDE LEFT
- SIDE RIGHT

OPTIONS (CHECK BOX IF APPLICABLE)

- EXTRA HEIGHT OF UNIT
- HIGHER HEADER AIR BAG
- MOTOR/BLOWER, 1/2 HP, 2850 RPM (REQ'D FOR APPLICATIONS OUTSIDE NORTH AMERICA)
- AUTOMATIC SWITCH KIT



HIGHER HEAD BAG



FOUR SIDED UNIT

S.S. QUOTE REF. # _____

CUSTOMER _____

APPROVED BY: _____

P/O No.: _____

DATE: _____



F SERIES INFLATABLE DOCK SEAL - F14
3-SIDED

DATE: APR-14-04	SCALE: N.T.S.
DRAWN: OC	DWG NO: LF-B / 3
APPROVED: ST	PART NO: N/A