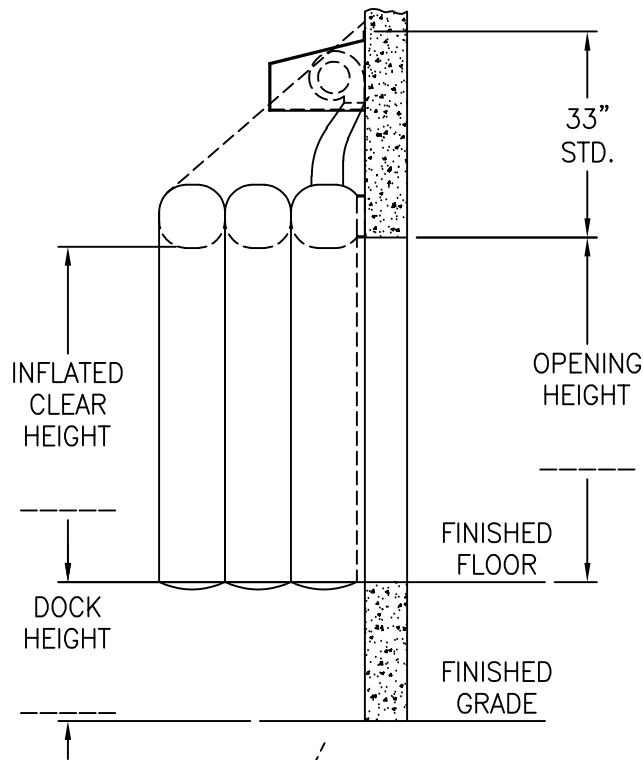
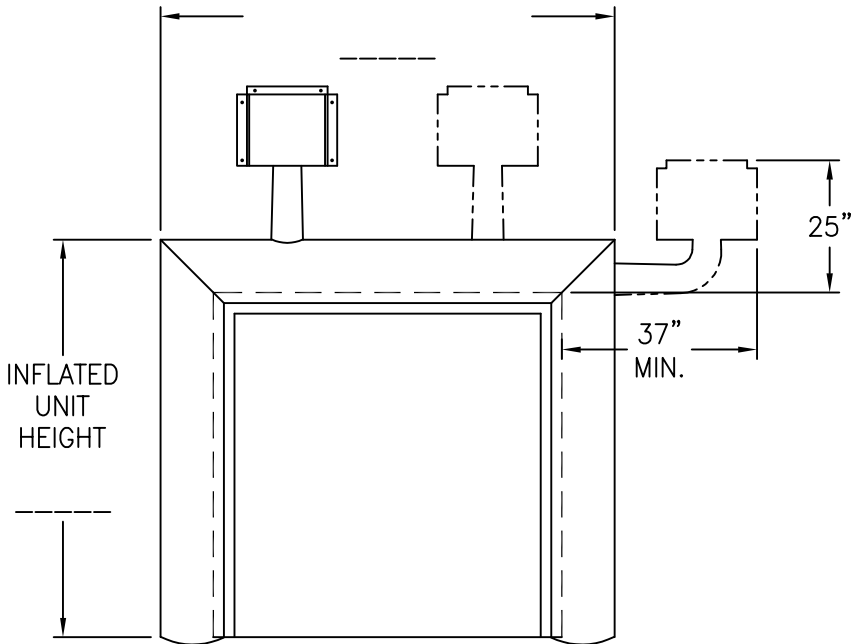


INFLATED UNIT WIDTH



DOOR OPENING:

_____W_____H

QUANTITY: _____

COVER FABRIC: _____

COLOR: _____

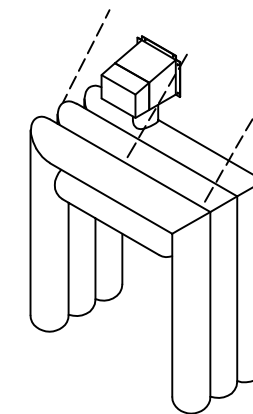
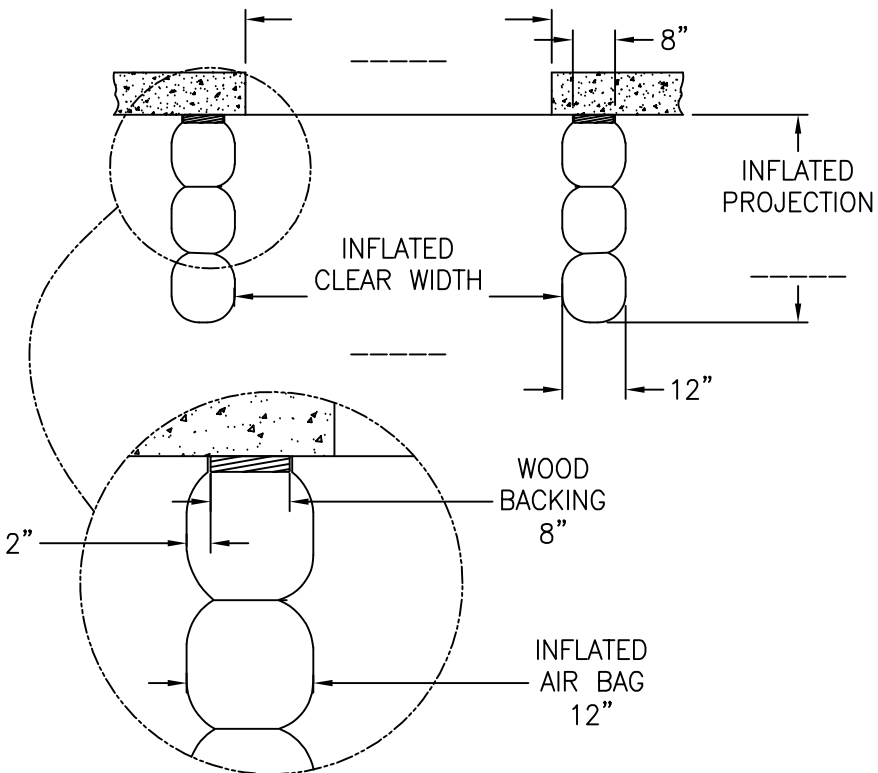
BLOWER POSITION:

- TOP LEFT
- TOP RIGHT
- SIDE LEFT
- SIDE RIGHT

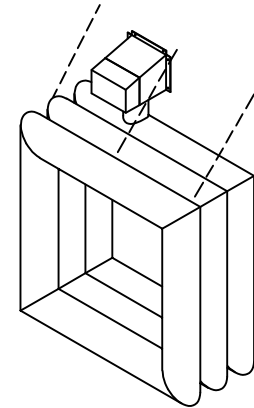
OPTIONS (CHECK BOX IF APPLICABLE)

- EXTRA HEIGHT OF UNIT
- HIGHER HEADER AIR BAG
- MOTOR/BLOWER, 1/2 HP, 2850 RPM (REQ'D FOR APPLICATIONS OUTSIDE NORTH AMERICA)
- AUTOMATIC SWITCH KIT

OPENING WIDTH



HIGHER HEAD BAG



FOUR SIDED UNIT

S.S. QUOTE REF. # _____

CUSTOMER _____

APPROVED BY: _____

P/O No.: _____

DATE: _____



F SERIES INFLATABLE DOCK SEAL - F22
3-SIDED

DATE: APR-14-04

SCALE: N.T.S.

DRAWN: OC

DWG NO: LF-B / 5

APPROVED: ST

PART NO: N/A